



HF-Performer III for PL-T/C lamps

HF-P 1/226 PL-T/C III 220-240V

HF-Performer III PL-T/C is a sustainable, slim and high-frequency electronic ballast for PL-T and PL-C fluorescent lamps. It is ideal for applications where high energy efficiency is required. The HF-Performer III range has a robust design, meets all relevant international safety and performance standards and is energy efficient (CELMA EEI A2). The ballast is primarily designed for Indoor application. For outdoor application, the luminaire should be minimum Class II need to be sufficiently protected against water & dust. The installation should also be guard against any lightning surge or any other necessary electrical protection as deemed in such typical installation & application.

Product data

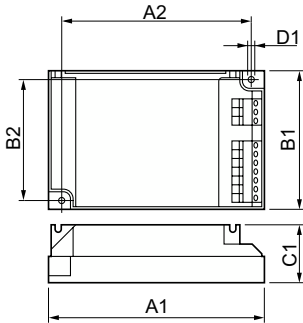
Operating and Electrical		T-Case Maximum (Max)	
Input Voltage	220 to 240 V		75 °C
Line Frequency	50 to 60 Hz	Mechanical and Housing	
Input Frequency	50 to 60 Hz	Housing	S 103x67x30
Inrush Current Width	0.250 ms	Ingress protection code	IP20 [Finger-protected]
Inrush Current Peak (Max)	18 A	Net Weight (Piece)	0.130 kg
Number of Products on MCB (16A Type B) (Nom)	28	Approval and Application	
Wiring		Energy Efficiency Index	A2/A2 BAT
Connector Type Input Terminals	Insert	Safety Standard	IEC 61347-2-3
Connector Type Output Terminals	Insert	Environmental Standard	ISO 14001
Cable Length From Device to Lamp	1 m	Approval Marks	CE marking ENEC certificate VDE-EMV certificate
Temperature		Ambient temperature range	-25 °C to 50 °C
T-Case Lifetime (Nom)	75 °C		

HF-Performer III for PL-T/C lamps

Product Data	
Order product name	HF-P 1/226 PL-T/C III 220-240V
Full product name	HF-P 1/226 PL-T/C III 220-240V
Full product code	872790083423900
Order code	913700648866
Material Nr. (12NC)	913700648866

Numerator - Quantity Per Pack	1
EAN/UPC - Product/Case	8711500881052
Numerator - Packs per outer box	12
EAN/UPC - Case	8727900834239

Dimensional drawing



Product	D1	C1	A1	A2	B1	B2
HF-P 1/226 PL-T/C III 220-240V	4.2 mm	30.0 mm	103.8 mm	93.5 mm	67.8 mm	57.5 mm

