



# HF-Performer Intelligent for TL5 HE/HO lamps

## HF-Pi 1 28/35/49/54 TL5 EII 220-240V

HF-Performer Intelligent for Master and ECO TL5 HE/HO, TL-D and PL-L lamps. HF-Performer Intelligent features automatic recognition of the connected lamp and is independently able to adjust its operation parameters exactly to the respective lamp. This results in a substantial benefit, especially for T5 lamps, as it means TL5 HE and HO lamps of the same length can be interchanged. With a choice of seven ballasts, the customer is able to handle efficiently every possible combination of Master TL5 and Eco, TL-D, and PL-L lamps. The ballast is primarily designed for Indoor application. For outdoor application, the luminaire should be minimum Classland need to be sufficiently protected against water & dust. The installation should also be guard against any lightning surge or any other necessary electrical protection as deemed in such typical installation & application.

### Product data

| Operating and Electrical                     |              |
|--|--------------|
| Input Voltage                                | 220 to 240 V |
| Line Frequency                               | 50 to 60 Hz  |
| Input Frequency                              | 50 to 60 Hz  |
| Earth Leakage Current (Max)                  | 0.5 mA       |
| Inrush Current Width                         | 0.35 ms      |
| Inrush Current Peak (Max)                    | 20 A         |
| Number of Products on MCB (16A Type B) (Nom) | 18           |

| Wiring                          |        |
|---------------------------------|--------|
| Connector Type Input Terminals  | Insert |
| Connector Type Output Terminals | Insert |

| Temperature           |       |
|-----------------------|-------|
| T-Case Lifetime (Nom) | 75 °C |
| T-Case Maximum (Max)  | 75 °C |

| Mechanical and Housing  |                         |
|-------------------------|-------------------------|
| Housing                 | L360x30x22              |
| Ingress protection code | IP20 [Finger-protected] |

## HF-Performer Intelligent for TL5 HE/HO lamps

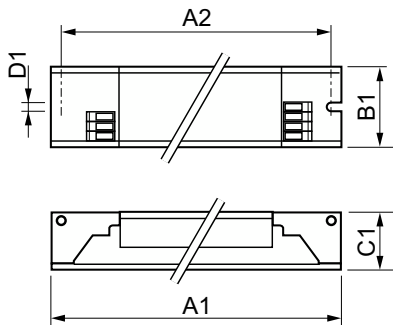
|                                 |   |
|---------------------------------|---|
| Net Weight (Piece)              | 0.247 kg  |
| <b>Approval and Application</b> |   |
| Energy Efficiency Index         | A2 BAT  |
| Safety Standard                 | IEC 61347-2-3                                   |
| Environmental Standard          | ISO 14001                                       |
| Approval Marks                  | CE marking ENEC certificate VDE-EMV certificate |
| CE mark                         | Yes   |
| Ambient temperature range       | -25 °C to 50 °C                                 |

### Product Data

|                    |                                      |
|--------------------|--------------------------------------|
| Order product name | HF-Pi 1 28/35/49/54 TL5 EII 220-240V |
|--------------------|--------------------------------------|

|                                 |                                      |
|---------------------------------|--------------------------------------|
| Full product name               | HF-Pi 1 28/35/49/54 TL5 EII 220-240V |
| Full product code               | 871150091496530                      |
| Order code                      | 913700624166                         |
| Material Nr. (12NC)             | 913700624166                         |
| Numerator - Quantity Per Pack   | 1                                    |
| EAN/UPC - Product/Case          | 8711500914965                        |
| Numerator - Packs per outer box | 12                                   |
| EAN/UPC - Case                  | 8711500914972                        |

### Dimensional drawing



| Product                              | D1     | C1    | A1     | A2     | B1    |
|--------------------------------------|--------|-------|--------|--------|-------|
| HF-Pi 1 28/35/49/54 TL5 EII 220-240V | 4.2 mm | 22 mm | 360 mm | 350 mm | 30 mm |

