



HF-Regulator II for TL-D lamps

HF-R 136 TL-D EII 220-240V 50/60Hz

Flat, lightweight high-frequency electronic regulating ballast, using 1-10V protocol for TL-D fluorescent lamps

Product data

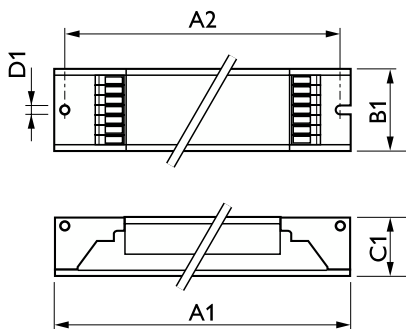
| Operating and Electrical | |
|--|---|
| Input Voltage | 220 to 240 V |
| Line Frequency | 50 to 60 Hz |
| Input Frequency | 50 to 60 Hz |
| Earth Leakage Current (Max) | 0.5 mA |
| Inrush Current Width | 0.25 ms |
| Inrush Current Peak (Max) | 27 A |
| Number of Products on MCB (16A Type B) (Nom) | 28 |
| Wiring | |
| Connector Type Input Terminals | WAGO 251 universal connector [Suitable for both automatic wiring (ALF and ADS) and manual wiring] |
| Connector Type Output Terminals | WAGO 251 universal connector [Suitable for both automatic wiring (ALF and ADS) and manual wiring] |
| Controls and Dimming | |
| Control Interface | 1-10V |
| Mechanical and Housing | |
| Housing | L 360x30x21 |

| Ingress protection code | IP20 [Finger-protected] |
|---------------------------|---|
| Net Weight (Piece) | 0.260 kg |
| Approval and Application | |
| Energy Efficiency Index | A1 BAT |
| Safety Standard | IEC 61347-2-3 |
| Environmental Standard | ISO 14001 |
| Approval Marks | CE marking ENEC certificate VDE-EMV certificate |
| CE mark | Yes |
| Ambient temperature range | 10 °C to 50 °C |

| Product Data | |
|---------------------------------|------------------------------------|
| Order product name | HF-R 136 TL-D EII 220-240V 50/60Hz |
| Full product name | HF-R 136 TL-D EII 220-240V 50/60Hz |
| Full product code | 871150091013430 |
| Order code | 91013430 |
| Material Nr. (12NC) | 913700609266 |
| Numerator - Quantity Per Pack | 1 |
| EAN/UPC - Product/Case | 8711500910134 |
| Numerator - Packs per outer box | 12 |
| EAN/UPC - Case | 8711500910141 |

HF-Regulator II for TL-D lamps

Dimensional drawing



| Product | D1 | C1 | A1 | A2 | B1 |
|------------------------------------|--------|-------|--------|--------|-------|
| HF-R 136 TL-D EII 220-240V 50/60Hz | 4.2 mm | 22 mm | 360 mm | 350 mm | 30 mm |

