



Clearflood gen2

BVP657 LED930-4S/740 PSU A65-NWB ALU

Clearflood gen2, 530 W, 71680 lm, 4000 K, CRI70, Asymmetrical, IP66

This new generation of Clearflood range brings the total cost of ownership of your project to the next level. The range comes in 3 sizes (BVP655, BVP656, BVP657) with several finishing and serviceability options, and leverages on the light engine of our Recreational Sports & Area flagship floodlight. This light engine is optimised for sports applications, as well as large areas, such as logistical hubs, outdoor car parks and storage areas. Now an innovative design approach allows the availability of connected options such as the SR socket, fully integrated on the floodlight housing, and a multi-sensor on the bracket. The product range is compatible with Interact systems.

Product data

General Information		Operating and Electrical	
Lamp family code	LED930 [LED module 93000 lm]	Colour rendering index (CRI)	70
Number of gear units	3 units	Light source colour	740 neutral white
Driver included	Yes	Luminaire light beam spread	6° - 14° x 122°
Light source engine type	LED	Optic type outdoor	Asymmetrical
Service Tag	Yes	Effective projected area	0.37 m ²
Value ladder	Specification		
Warranty period	5 years		
Light Technical			
Upwards light output ratio	0	Input Voltage	230 V
Luminous Flux	71,680 lm	Line Frequency	50 to 60 Hz
Correlated Colour Temperature (Nom)	4000 K	Inrush current	77 A
Luminous efficacy (rated) (nom.)	135 lm/W	Inrush time	150 ms
		Power Consumption	530 W
		Power Factor (Fraction)	0.99
		Connection	Connection unit 3-pole

Clearflood gen2

Cable	-
Number of products on MCB (16 A type B)	3
Protection class IEC	Safety class I
Surge Protection (Common/Differential)	6/8 kV
Total harmonic distortion	6 %

Controls and Dimming

Dimmable	No
Driver/power unit/transformer	Power supply unit
Control interface	-
Constant light output	No

Mechanical and Housing

Housing material	Aluminium
Reflector material	-
Optic material	Acrylate
Optical cover/lens material	Glass
Fixation material	Aluminium
Housing Colour	Aluminium
Mounting device	Mounting bracket adjustable
Optical cover/lens shape	Flat
Optical cover/lens finish	Clear
Overall length	711 mm
Overall width	720 mm
Overall height	139 mm
Dimensions (height x width x depth)	139 x 720 x 711 mm
Ingress protection code	IP66 [Dust penetration-protected, jet-proof]
Mech. impact protection code	IK08 [5 J vandal-protected]
Standard tilt angle post-top	-
Standard tilt angle side entry	-
Optical cover type	Clear glass
Net Weight (Piece)	26.000 kg

Approval and Application

Flammability mark	-
CE mark	Yes
ENEC mark	ENEC plus mark
EU RoHS compliant	Yes
Performance ambient temperature Tq	25 °C
Ambient temperature range	-40°C to 50°C

Initial Performance (IEC Compliant)

Luminous flux tolerance	+/-7%
Initial chromaticity	(0.329,0.342)

Power consumption tolerance	+/-10%
Init. Colour Rendering Index Tolerance	-2

Over Time Performance (IEC Compliant)

Control gear failure rate at median useful life 100,000 h	10 %
Lumen maintenance (EN-IEC 62722-2-1) at median useful life* 100000 h	L94

Sustainability Data

Sustainability rating	Signify Circle
Repair class	Repair Class B, the driver and light source of this luminaire can be replaced by a service technician. Parts and documentation are available for an extended period of time.

Embedded carbon (A1-A3)	534 kg CO _{2e}
Product non-virgin material ratio	6.23 %
Recyclable the content ratio of the finished product	60.3 %

GWP total B6 (kg CO _{2eq}) Declared Unit	Please calculate using your local energy mix value: Power Declared Unit (kW) * Service life (hrs) Declared Unit * Energy mix (kg CO _{2eq} / kWh)
--	---

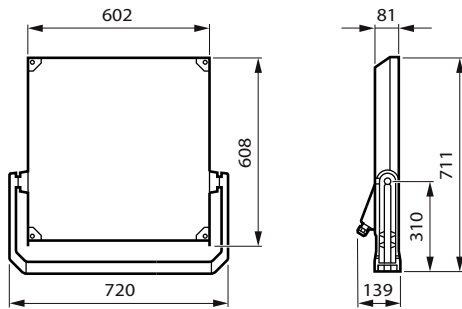
GWP total B6 (kg CO _{2eq}) Functional Unit	Please calculate using your local energy mix value: POWER DECLARED UNIT (kW) * 1000 (lm) / LUMEN OUTPUT DECLARED UNIT (lm) * 35000 (hrs) * ENERGY MIX (kg CO ₂ eq / kWh)
--	---

Product Data

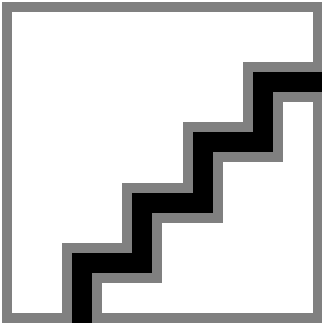
Order product name	BVP657 LED930-4S/740 PSU A65-NWB ALU
Full product name	BVP657 LED930-4S/740 PSU A65-NWB ALU
Full EOC	872016979632400
Order code	912300060571
Material no. (12 NC)	912300060571
Numerator – quantity per pack	1
EAN/UPC – Product/Case	8720169796324
Numerator – packs per outer box	1
EAN/UPC - Case	8720169796324
Product family code	BVP657 [CLEARFLOOD GEN2 LARGE]

Clearflood gen2

Dimensional drawing



Photometric data



Polar Normal (separate) - BVP657I - 912300060571

