



# Clearflood gen2

## BVP657 LED930-4S/740 PSU DW10 ALU

Clearflood gen2, 530 W, 78539 lm, 4000 K, CRI70, Asymmetrical, IP66

This new generation of Clearflood range brings the total cost of ownership of your project to the next level. The range comes in 3 sizes (BVP655, BVP656, BVP657) with several finishing and serviceability options, and leverages on the light engine of our Recreational Sports & Area flagship floodlight. This light engine is optimized for sports applications, as well as large areas, such as logistical hubs, outdoor car parks and storage area. Now an innovative design approach allows the availability of connected options such as the SR socket, fully integrated on the floodlight housing, and a multi-sensor on the bracket. The product range is compatible with Interact systems.

### Product data

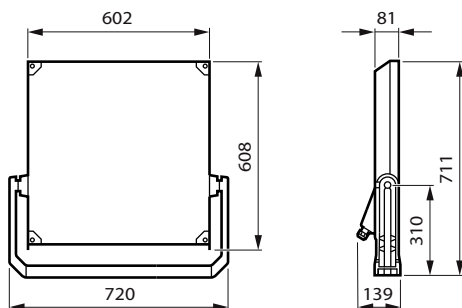
| General Information      |  |
|--------------------------|--|
| Lamp family code         | LED930 [LED module 93000 lm]   |
| Number of gear units     | 3 units  |
| Driver included          | Yes  |
| Light source engine type | LED  |
| Service tag              | Yes  |
| Value ladder             | Specification  |
| Serviceability class     | Class A, luminaire is equipped with serviceable parts (when applicable): LED board, driver, control units, surge protection device, optics, front cover and mechanical parts |
| Warranty period          | 5 years  |

| Sustainability rating              | Signify Circle      |
|------------------------------------|---------------------|
| Light Technical                    |                     |
| Upward light output ratio          | 0                   |
| Luminous Flux                      | 78,539 lm           |
| Correlated Color Temperature (Nom) | 4000 K              |
| Luminous Efficacy (rated) (Nom)    | 148 lm/W            |
| Color rendering index (CRI)        | 70                  |
| Light source color                 | 740 neutral white   |
| Luminaire light beam spread        | 26° - 22° x 147°    |
| Optic type outdoor                 | Asymmetrical        |
| Effective projected area           | 0.37 m <sup>2</sup> |

## Clearflood gen2

| Operating and Electrical                 |  |
|--|--|
| Input Voltage                            | 230 V  |
| Line Frequency                           | 50 to 60 Hz                                  |
| Inrush current                           | 77 A   |
| Inrush time                              | 150 ms                                       |
| Power Consumption                        | 530 W  |
| Power Factor (Fraction)                  | 0.99   |
| Connection                               | Connection unit 3-pole                       |
| Cable                                    | -  |
| Number of products on MCB of 16 A type B | 3  |
| Protection class IEC                     | Safety class I                               |
| Surge Protection (Common/Differential)   | 6/8 kV                                       |
| Total harmonic distortion                | 6 %  |
| Controls and Dimming                     |  |
| Dimmable                                 | No   |
| Driver/power unit/transformer            | Power supply unit                            |
| Control interface                        | -  |
| Constant light output                    | No   |
| Mechanical and Housing                   |  |
| Housing Material                         | Aluminium                                    |
| Reflector material                       | -  |
| Optic material                           | Acrylate                                     |
| Optical cover material                   | Glass  |
| Fixation material                        | Aluminum                                     |
| Housing Color                            | Aluminum                                     |
| Mounting device                          | Mounting bracket adjustable                  |
| Optical cover shape                      | Flat   |
| Optical cover finish                     | Clear  |
| Overall length                           | 711 mm                                       |
| Overall width                            | 720 mm                                       |
| Overall height                           | 139 mm                                       |
| Dimensions (Height x Width x Depth)      | 139 x 720 x 711 mm                           |
| Ingress protection code                  | IP66 [Dust penetration-protected, jet-proof] |
| Mech. impact protection code             | IK08 [5 J vandal-protected]                  |
| Standard tilt angle posttop              | -  |

### Dimensional drawing



| Standard tilt angle side entry     | -               |
|------------------------------------|-----------------|
| Optical cover type                 | Clear glass     |
| Net Weight (Piece)                 | 26.000 kg       |
| Approval and Application           |                 |
| Flammability mark                  | -               |
| CE mark                            | Yes             |
| ENEC mark                          | ENEC plus mark  |
| EU RoHS compliant                  | Yes             |
| Performance ambient temperature Tq | 25 °C           |
| Ambient temperature range          | -40 °C to 50 °C |

### Initial Performance (IEC Compliant)

|                                       |               |
|---------------------------------------|---------------|
| Luminous flux tolerance               | +/-7%         |
| Initial chromaticity                  | (0.329,0.342) |
| Power consumption tolerance           | +/-10%        |
| Init. Color Rendering Index Tolerance | -2            |

### Over Time Performance (IEC Compliant)

|  |      |
|--|------|
| Control gear failure rate at median useful life 100000 h             | 10 % |
| Lumen maintenance (EN-IEC 62722-2-1) at median useful life* 100000 h | L94  |

### Product Data

|                                 |                                   |
|---------------------------------|-----------------------------------|
| Order product name              | BVP657 LED930-4S/740 PSU DW10 ALU |
| Full product name               | BVP657 LED930-4S/740 PSU DW10 ALU |
| Full product code               | 872016979630000                   |
| Order code                      | 912300060569                      |
| Material Nr. (12NC)             | 912300060569                      |
| Numerator - Quantity Per Pack   | 1                                 |
| EAN/UPC - Product/Case          | 8720169796300                     |
| Numerator - Packs per outer box | 1                                 |
| EAN/UPC - Case                  | 8720169796300                     |
| Product family code             | BVP657 [CLEARFLOOD GEN2 LARGE]    |

## Clearflood gen2

### Photometric data



Polar Normal (separate) - BVP657I - 912300060569

