



Clearflood gen2

BVP656 LED600-4S/740 PSU A35-MB ALU

Clearflood gen2, 341 W, 51160 lm, 4000 K, CRI70, Asymmetrical, IP66

This new generation of Clearflood range brings the total cost of ownership of your project to the next level. The range comes in 3 sizes (BVP655, BVP656, BVP657) with several finishing and serviceability options, and leverages on the light engine of our Recreational Sports & Area flagship floodlight. This light engine is optimised for sports applications, as well as large areas, such as logistical hubs, outdoor car parks and storage areas. Now an innovative design approach allows the availability of connected options such as the SR socket, fully integrated on the floodlight housing, and a multi-sensor on the bracket. The product range is compatible with Interact systems.

Product data

General Information	
Lamp family code	LED600 [LED module 60000 lm]
Number of gear units	2 units
Driver included	Yes
Light source engine type	LED
Service Tag	Yes
Value ladder	Specification
Serviceability class	Class A, the luminaire is equipped with serviceable parts (when applicable): LED board, driver, control units, surge-protection device, optics, front cover and mechanical parts
Warranty period	5 years

Sustainability rating	Signify Circle
Light Technical	
Upwards light output ratio	0
Luminous Flux	51,160 lm
Correlated Colour Temperature (Nom)	4000 K
Luminous efficacy (rated) (nom.)	150 lm/W
Colour rendering index (CRI)	70
Light source colour	740 neutral white
Luminaire light beam spread	6° - 21° x 99°
Optic type outdoor	Asymmetrical
Effective projected area	0.22 m ²

Clearflood gen2

Operating and Electrical	
Input Voltage	230 V
Line Frequency	50 to 60 Hz
Inrush current	77 A
Inrush time	150 ms
Power Consumption	341 W
Power Factor (Fraction)	0.99
Connection	Connection unit 3-pole
Cable	-
Number of products on MCB (16 A type B)	4
Protection class IEC	Safety class I
Surge Protection (Common/Differential)	6/8 kV
Total harmonic distortion	6.3 %
Controls and Dimming	
Dimmable	No
Driver/power unit/transformer	Power supply unit
Control interface	-
Constant light output	No
Mechanical and Housing	
Housing material	Aluminium
Reflector material	-
Optic material	Acrylate
Optical cover/lens material	Glass
Fixation material	Aluminium
Housing Colour	Aluminium
Mounting device	Mounting bracket adjustable
Optical cover/lens shape	Flat
Optical cover/lens finish	Clear
Overall length	696 mm
Overall width	465 mm
Overall height	140 mm
Dimensions (height x width x depth)	140 x 465 x 696 mm
Ingress protection code	IP66 [Dust penetration-protected, jet-proof]
Mech. impact protection code	IK08 [5 J vandal-protected]
Standard tilt angle post-top	-
Standard tilt angle side entry	-

Optical cover type	Clear glass
Net Weight (Piece)	16.000 kg
Approval and Application	
Flammability mark	-
CE mark	Yes
ENEC mark	ENEC plus mark
EU RoHS compliant	Yes
Performance ambient temperature Tq	25 °C
Ambient temperature range	-40°C to 50°C

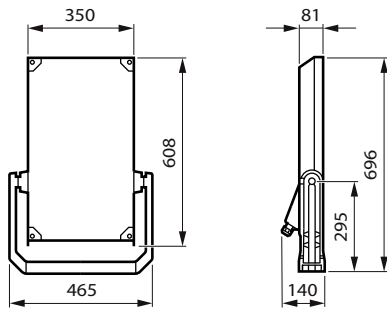
Initial Performance (IEC Compliant)	
Luminous flux tolerance	+/-7%
Initial chromaticity	(0.329,0.342)
Power consumption tolerance	+/-10%
Init. Colour Rendering Index Tolerance	-2

Over Time Performance (IEC Compliant)	
Control gear failure rate at median useful life 100,000 h	10 %
Lumen maintenance (EN-IEC 62722-2-1) at median useful life* 100000 h	L95

Product Data	
Order product name	BVP656 LED600-4S/740 PSU A35-MB ALU
Full product name	BVP656 LED600-4S/740 PSU A35-MB ALU
Full EOC	872016979622500
Order code	912300060561
Material no. (12 NC)	912300060561
Numerator – quantity per pack	1
EAN/UPC – Product/Case	8720169796225
Numerator – packs per outer box	1
EAN/UPC - Case	8720169796225
Product family code	BVP656 [CLEARFLOOD GEN2 MEDIUM]

Clearflood gen2

Dimensional drawing



Photometric data



Polar Normal (separate) - BVP6561 - 912300060561

