



Coreline tempo small gen2

BVP111 LED51-4S/740 S

Coreline tempo small gen2, Floodlight, 31 W, 4437 lm, 4000 K, CRI70, Symmetrical, IP66

The Coreline tempo small gen2 delivers on the Coreline promise of innovative, easy-to-use and high-quality floodlights. A limited range of options makes it easy to find the best lux-for-lux replacement for conventional technologies and direct replacement of 70 W and 100 W HID lamps. The CoreLine tempo small gen2 offers two lumen packages for different application areas as well as two high-performance asymmetrical and symmetrical optics. Installing this LED floodlight is made easy thanks to the U-shaped mounting bracket and the external quick three-pole connector. It is an ideal floodlighting solution for outdoor environments such as industrial/commercial areas, car parks, etc.

Product data

General Information	
Lamp family code	LED51 [LED module 5100 lm]
Number of gear units	Unit
Driver included	Yes
Light source engine type	LED
Service Tag	Yes
Lighting Technology	LED
Value ladder	Performance
Serviceability class	Class C, luminaire without serviceable parts, not serviceable
Warranty period	5 years

Sustainability rating	Unclassified
Light Technical	
Upwards light output ratio	0
Luminous Flux	4,437 lm
Correlated Colour Temperature (Nom)	4000 K
Luminous efficacy (rated) (nom.)	142 lm/W
Colour rendering index (CRI)	70
Light source colour	740 neutral white
Luminaire light beam spread	10° x 60°
Optic type outdoor	Symmetrical

Coreline tempo small gen2

Effective projected area	0.02 m ²
Operating and Electrical	
Input Voltage	220 to 240 V
Line Frequency	50 to 60 Hz
Inrush current	18 A
Inrush time	0.3 ms
Power Consumption	31 W
Power Factor (Fraction)	0.9
Connection	External connector
Cable	Cable 1.0 m with plug Wieland/Adels compatible 3-pole
Number of products on MCB (16 A type B)	30
Protection class IEC	Safety class I
Surge Protection (Common/Differential)	Surge protection level until 6 kV differential mode and 8 kV common mode
Total harmonic distortion	9.7 %
Controls and Dimming	
Dimmable	No
Driver/power unit/transformer	Power supply unit (On/Off)
Constant light output	No
Mechanical and Housing	
Housing material	Aluminium
Reflector material	-
Optic material	Polycarbonate
Optical cover/lens material	Glass
Fixation material	Aluminium
Housing Colour	Grey
Mounting device	Wall-mounting bracket
Optical cover/lens shape	Flat
Optical cover/lens finish	Clear
Overall length	286.9 mm
Overall width	211.5 mm
Overall height	64 mm
Dimensions (height x width x depth)	64 x 212 x 287 mm
Ingress protection code	IP66 [Dust penetration-protected, jet-proof]
Mech. impact protection code	IK08 [5 J vandal-protected]
Standard tilt angle post-top	0°
Standard tilt angle side entry	0°
Optical cover type	Flat glass
Net Weight (Piece)	2.570 kg

Emergency Operation

Central Emergency	No
-------------------	----

Approval and Application

Flammability mark	For mounting on normally flammable surfaces
CE mark	Yes
ENEC mark	ENEC mark
Photobiological risk	Photobiological risk group 1 @200mm to EN62778
EU RoHS compliant	Yes
Performance ambient temperature Tq	25 °C
Ambient temperature range	-40 to +45 °C

Initial Performance (IEC Compliant)

Luminous flux tolerance	+/-7%
Initial chromaticity	(0.434, 0.403) SDCM <5
Power consumption tolerance	+/-10%
Init. Colour Rendering Index Tolerance	+/-2
Standard Deviation of Colour Matching (McAdam ellipse)	SDCM≤5

Over Time Performance (IEC Compliant)

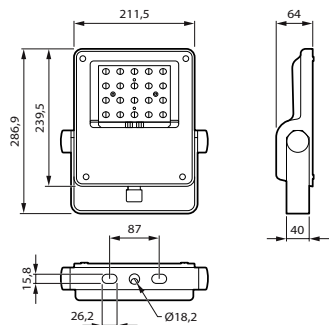
Control gear failure rate at median useful life 50,000 h	10 %
Control gear failure rate at median useful life 100,000 h	10 %
Lumen maintenance (EN-IEC 62722-2-1) at median useful life* 75000 h	L80
Lumen maintenance (EN-IEC 62722-2-1) at median useful life* 100000 h	L90

Product Data

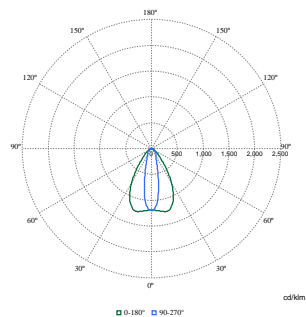
Order product name	BVP111 LED51-4S/740 S
Full product name	BVP111 LED51-4S/740 S
Full EOC	872016955680500
Order code	912300060467
Material no. (12 NC)	912300060467
Numerator – quantity per pack	1
EAN/UPC – Product/Case	8720169556805
Numerator – packs per outer box	1
EAN/UPC - Case	8720169556805
Product family code	BVP111 [Coreline tempo small gen2]

Coreline tempo small gen2

Dimensional drawing



Photometric data



Polar Normal (separate) - BVP1111 - 912300060467

