



TownTune CCB, Urban road & street light, 9.8 W, 1148 lm, 3000 K, CRI70, DALI, Distribution medium 11, Safety class I, IP66, SRG6-6

Designed to enhance existing and scalable urban spaces, the TownTune family offers all the latest lighting innovations in terms of performance, quality of light and connectivity. The family consists of four solutions: a Central Post Top (CPT), an Asymmetric Spigot Post Top / Side Entry version (ASY), a version with an extending Lyre post top bracket (Lyre), and a Central Post Top with a Conical Comfort Bowl (CCB). Each TownTune luminaire can be customized with a choice of different shapes on top of the housing, plus there's the option to add a decorative ring, which comes in two colors (excluding CCB). Design options that enable you to create your very own lighting signature and bring a distinctive identity to districts and cities. In addition, every luminaire in the TownTune family is uniquely identifiable, thanks to the Signify Service tag app. By simply scanning a QR code, placed inside the door of the mast or

directly on the luminaire, you can instantly access the configuration of the luminaire. This makes maintenance and programming operations faster and easier and enables you to create your digital library of lighting assets and spare parts. TownTune also uses the LEDGINE-O lighting platform, ensuring you always have the right amount and direction of light on your street. Furthermore, thanks to being system ready (SR), TownTune is also future proof. A solution that's ready to be paired with both standalone and advanced control and lighting software applications such as Interact City.

General Information

Lamp family code	LED14 [LED module 1400 lm]
Light source replaceable	Yes
Number of gear units	1 unit
Driver included	Yes
Light source engine type	LED
Service tag	Yes
Lighting Technology	LED
Value ladder	Performance
Warranty period	5 years

Light Technical

Upward light output ratio	0.0369
Luminous Flux	1,148 lm
Correlated Color Temperature (Nom)	3000 K
Luminous Efficacy (rated) (Nom)	117 lm/W
Color rendering index (CRI)	70
Light source color	730 warm white
Luminaire light beam spread	76° x 74°
Optic type outdoor	Distribution medium 11
Effective projected area	0.09 m ²

Operating and Electrical

Input Voltage	220 to 240 V
Line Frequency	50 to 60 Hz

Inrush current	15 A
Inrush time	0.295 ms
Power Consumption	9.8 W
Power Factor (Fraction)	0.97
Connection	Screw connection block 5-pole
Cable	-
Number of products on MCB of 16 A type B	29
Protection class IEC	Safety class I
Surge Protection (Common/Differential)	Surge protection level until 6 kV differential mode and 6 kV common mode

Controls and Dimming

Dimmable	Yes
Driver/power unit/transformer	Power supply unit with DALI interface
Control interface	DALI
Constant light output	No
DALI Standard	DALI-2™
Maximum dim level	10%

Mechanical and Housing

Housing Material	Aluminium die-cast ADC1 - alloy grade (EN AC-47100)
Reflector material	-
Optic material	Acrylate
Optical cover material	Polycarbonate

Fixation material	Stainless steel
Housing Color	Anthracite
Mounting device	Post-top for diameter 62 mm
Optical cover shape	Conical
Optical cover finish	Textured
Overall width	477 mm
Overall height	427 mm
Overall diameter	477 mm
Ingress protection code	IP66 [Dust penetration-protected, jet-proof]
Mech. impact protection code	IK10 [20 J vandal-resistant]
Standard tilt angle posttop	0°
Standard tilt angle side entry	-
Optical cover type	Polycarbonate bowl/cover clear
Net Weight (Piece)	8.000 kg

Approval and Application

Flammability mark	For mounting on normally flammable surfaces
CE mark	Yes
ENEC mark	ENEC mark
Photobiological risk	Photobiological risk group 0 @200mm to EN62778
EU RoHS compliant	Yes
Performance ambient temperature Tq	25 °C
Ambient temperature range	-40 to +35 °C

Initial Performance (IEC Compliant)

Luminous flux tolerance	+/-7%
Initial chromaticity	(0.434, 0.403) SDCM<5
Power consumption tolerance	+/-10%
Init. Color Rendering Index Tolerance	+/-2
Standard Deviation of Colour Matching (McAdam ellipse)	SDCM≤5

Over Time Performance (IEC Compliant)

Control gear failure rate at median useful life 100000 h	10 %
Lumen maintenance (EN-IEC 62722-2-1) at median useful life* 100000 h	L98

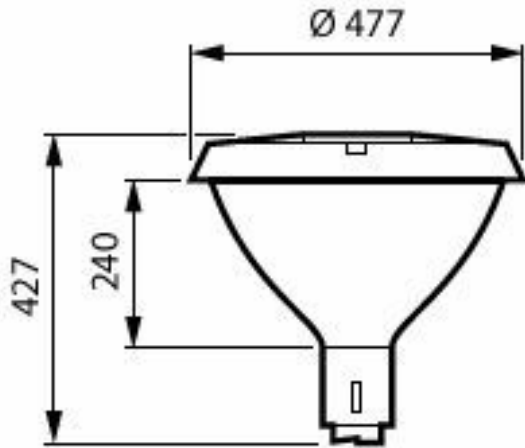
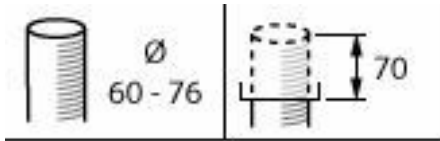
Sustainability Data

Sustainability rating	Signify Circle
Repair class	Repair Class B, the driver and light source of this luminaire can be replaced by a service technician. Parts and documentation are available for an extended period of time.

Product Data

Order product name	BDP275 LED14-4S/730 DM11 PCC DGR D9 62P
Full product name	BDP275 LED14-4S/730 DM11 PCC DGR D9 62P
Full product code	872016904051900
Order code	912300060276
Material Nr. (12NC)	912300060276
Numerator - Quantity Per Pack	1
EAN/UPC - Product/Case	8720169040519
Numerator - Packs per outer box	1
EAN/UPC - Case	8720169040519
Product family code	BDP275 [TOWNTUNE CCB PLUS]

Dimensional drawing



Polar normal diagrams

