



## Heritage LED retrofit kit, 41 W, 3450 lm, 2200 K, CRI70, Distribution medium 50, Safety class II, IP66, SRG10-10

Aluminum, Black, Power supply unit (On/Off), 3450 lm, 41 W, 84 lm/W, 2200 K, (0.502, 0.415) SDCM <5, CRI70, Distribution medium 50, IP66 | Dust penetration-protected, jet-proof, IK09 | 10 J, Safety class II, Surge protection level until 10 kV differential mode and 10 kV common mode, Cable 0.5 m with cable connector, External connector

### Warnings and Safety

- With the exception of integration of this product in Jargeau, Villa or Micenas 1 luminaire, conventional or LED variants, Signify N.V. cannot accept any liability with regards to the mechanical fixation of this product into any other luminaire or on/in any other mounting construction, and to all fixation related aspects. It is the sole responsibility of the customer to ensure that this product is mounted and fixed in a safe and reliable manner.

## General Information

Lamp family code	LED50 [LED module 5000 lm]
Light source replaceable	Yes
Number of gear units	1 unit
Driver included	Yes
Light source engine type	LED
Service tag	Yes
Lighting Technology	LED
Value ladder	Performance
Warranty period	5 years

## Light Technical

Upward light output ratio	0.01
Luminous Flux	3,450 lm
Correlated Color Temperature (Nom)	2200 K
Luminous Efficacy (rated) (Nom)	84 lm/W
Color rendering index (CRI)	70
Light source color	722 warm white
Luminaire light beam spread	30° - 5° x 153°
Optic type outdoor	Distribution medium 50
Effective projected area	0 m <sup>2</sup>

## Operating and Electrical

Input Voltage	220 to 240 V
Line Frequency	50 to 60 Hz
Inrush current	46 A
Inrush time	0.25 ms
Power Consumption	41 W
Power Factor (Fraction)	0.97
Connection	External connector
Cable	Cable 0.5 m with cable connector
Number of products on MCB of 16 A type B	11
Protection class IEC	Safety class II
Surge Protection (Common/Differential)	Surge protection level until 10 kV differential mode and 10 kV common mode

## Controls and Dimming

Dimmable	No
Driver/power unit/transformer	Power supply unit (On/Off)
Control interface	-
Constant light output	No
Maximum dim level	Not applicable

## Mechanical and Housing

Housing Material	Aluminum
Reflector material	-
Optic material	Polymethyl methacrylate
Optical cover material	Glass
Fixation material	Aluminum
Housing Color	Black
Mounting device	-
Optical cover shape	Flat
Optical cover finish	Clear
Overall length	350 mm
Overall width	350 mm
Overall height	77 mm
Dimensions (Height x Width x Depth)	77 x 350 x 350 mm
Ingress protection code	IP66 [Dust penetration-protected, jet-proof]
Mech. impact protection code	IK09 [10 J]
Standard tilt angle posttop	-
Standard tilt angle side entry	-
Optical cover type	Flat glass
Net Weight (Piece)	3.610 kg

## Approval and Application

Flammability mark	-
CE mark	Yes
ENEC mark	ENEC plus mark
Photobiological risk	Photobiological risk group 1 @200mm to EN62778
EU RoHS compliant	Yes
Performance ambient temperature Tq	25 °C
Remarks	* At extreme ambient temperatures the luminaire might automatically dim down to protect components

Ambient temperature range -40 to +50 °C

## Initial Performance (IEC Compliant)

Luminous flux tolerance	+/-7%
Initial chromaticity	(0.502, 0.415) SDCM <5
Power consumption tolerance	+/-10%
Init. Color Rendering Index Tolerance	+/-2
Standard Deviation of Colour Matching (McAdam ellipse)	SDCM≤5

## Over Time Performance (IEC Compliant)

Control gear failure rate at median useful life 100000 h	10 %
Lumen maintenance (EN-IEC 62722-2-1) at median useful life* 100000 h	L96

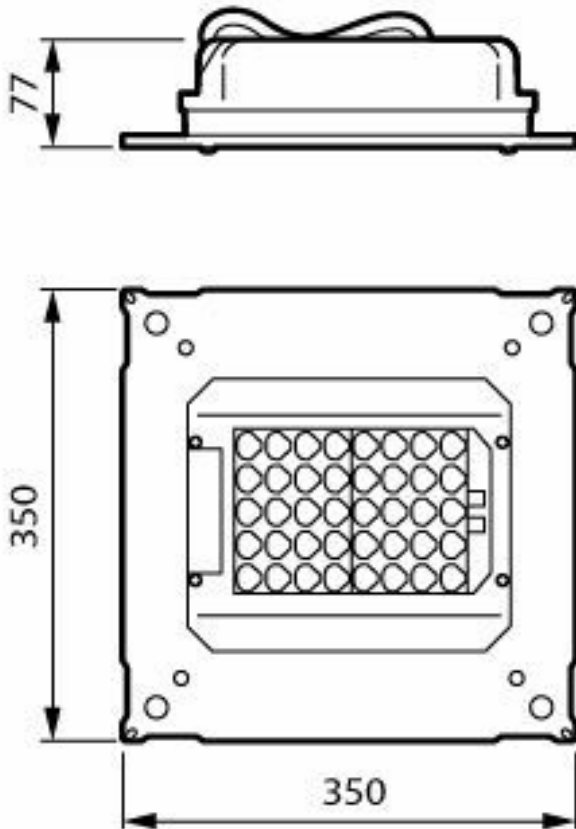
## Sustainability Data

Sustainability rating	Unclassified
Repair class	Repair Class B, the driver and light source of this luminaire can be replaced by a service technician. Parts and documentation are available for an extended period of time.
Non-virgin material ratio of the packaging	Cardboard > 80% recycled
Packaging Recyclable content ratio	Cardboard recycling rate > 80%
Packaging Material	Cardboard

## Product Data

Order product name	EDP769 LED50/722 II MK-WH DM50 FG SRG10
Full product name	EDP769 LED50/722 II MK-WH DM50 FG SRG10
Full product code	871951422136900
Order code	22136900
Material Nr. (12NC)	912300024913
Numerator - Quantity Per Pack	1
EAN/UPC - Product/Case	8719514221369
Numerator - Packs per outer box	1
EAN/UPC - Case	8719514221369
Product family code	EDP769 [JARGEAU LED RETROFIT KIT]

## Dimensional drawing



## Polar normal diagrams

