



CityCharm Cordoba

BDS490 LED70-/830 II DM GRB GR 60

CityCharm Cordoba, Urban road & street light, 53 W, 5400 lm, 3000 K, CRI80, Distribution medium, Safety class II, IP66

The CityCharm range is designed for use in urban areas where comfortable lighting, ambience, and design play an important role. It offers three iconic, timeless designs: CityCharm cordoba (BDS490), CityCharm cone (BDS491), and CityCharm fluid (BDS492) along with a range of decorative and practical accessories. This enables you to create a lighting solution that carries the signature of your municipality, both by day and by night. Whether you specify cordoba, cone or fluid LED lights, CityCharm provides high visual comfort while maintaining excellent performance. It offers a choice of two innovative Lighting technologies: GentleBeam, which maximizes visual comfort, or ClearGuide (cordoba or cone), which optimizes vertical illumination and visual guidance. To personalize your CityCharm lighting solution further, decorative accessories for this range make it possible to define the volume of the bowl and change its appearance. To personalize your CityCharm lighting solution further, decorative accessories for this range make it possible to define the volume of the bowl and change its appearance. A variety of dedicated brackets and masts are also available to enable you to reshape your residential areas and city centers in the most elegant way imaginable.

Product data

General Information	
Lamp family code	LED70 [LED module 7000 lm]
Light source replaceable	Yes
Number of gear units	1 unit
Driver included	Yes
Light source engine type	LED
Service tag	Yes
Lighting Technology	LED

Value ladder	Performance
Warranty period	5 years
Light Technical	
Upward light output ratio	0.0278
Luminous Flux	5,400 lm
Correlated Color Temperature (Nom)	3000 K
Luminous Efficacy (rated) (Nom)	101 lm/W

CityCharm Cordoba

Color rendering index (CRI)	80
Light source color	830 warm white
Luminaire light beam spread	360°
Optic type outdoor	Distribution medium
Effective projected area	0.1124 m²

Operating and Electrical

Input Voltage	220 to 240 V
Line Frequency	50 to 60 Hz
Inrush current	47 A
Inrush time	0.25 ms
Power Consumption	53 W
Power Factor (Fraction)	0.99
Connection	Flying leads/wires
Cable	Cable 0.2 m without plug
Number of products on MCB of 16 A type B	10
Protection class IEC	Safety class II
Surge Protection (Common/Differential)	Surge protection level until 6 kV differential mode and 8 kV common mode

Controls and Dimming

Dimmable	No
Driver/power unit/transformer	Power supply unit regulating
Control interface	-
Constant light output	No
Maximum dim level	Not applicable

Mechanical and Housing

Housing Material	Aluminum
Reflector material	-
Optic material	Polycarbonate
Optical cover material	Polycarbonate
Fixation material	Aluminum
Housing Color	Gray
Mounting device	Spigot for diameter 60 mm
Optical cover shape	Hemispherical
Optical cover finish	Clear
Overall height	530 mm
Overall diameter	555 mm
Ingress protection code	IP66 [Dust penetration-protected, jet-proof]
Mech. impact protection code	IK10 [20 J vandal-resistant]
Standard tilt angle posttop	0°
Standard tilt angle side entry	0°
Optical cover type	Polycarbonate bowl/cover
Net Weight (Piece)	12.000 kg

Approval and Application

Flammability mark	-
CE mark	Yes
ENEC mark	ENEC mark

EU RoHS compliant	Yes
Performance ambient temperature Tq	25 °C
Remarks	* At extreme ambient temperatures the luminaire might automatically dim down to protect components
Ambient temperature range	-40 to +50 °C

Initial Performance (IEC Compliant)

Luminous flux tolerance	+/-10%
Initial chromaticity	(0.4339, 0.4032) SDCM <5
Power consumption tolerance	+/-10%
Init. Color Rendering Index Tolerance	+/-2
Standard Deviation of Colour Matching (McAdam ellipse)	SDCM≤5

Over Time Performance (IEC Compliant)

Control gear failure rate at median useful life 100000 h	10 %
Lumen maintenance (EN-IEC 62722-2-1) at median useful life* 100000 h	L97

Sustainability Data

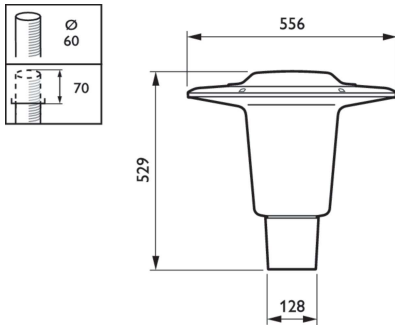
Sustainability rating	Unclassified
Embedded carbon (A1-A3)	92.7 kg CO ₂ e
Product non-virgin material ratio	41.7 %
Recyclable content ratio of the finished product	42.1 %
GWP total B6 (kg CO ₂ eq) Declared Unit	Please calculate using your local energy mix value: Power Declared Unit (kW) * Service life (hrs) Declared Unit * Energy mix (kg CO ₂ eq / kWh)
GWP total B6 (kg CO ₂ eq) Functional Unit	Please calculate using your local energy mix value: Power Declared Unit (kW) * 1000 (lm) / lumen output (lm) Declared Unit * 35000 (hrs) * Energy mix (kg CO ₂ eq / kWh)

Product Data

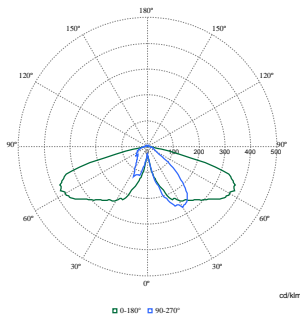
Order product name	BDS490 LED70-/830 II DM GRB GR 60
Full product name	BDS490 LED70-/830 II DM GRB GR 60
Full product code	871951420197200
Order code	912300024689
Material Nr. (12NC)	912300024689
Numerator - Quantity Per Pack	1
EAN/UPC - Product/Case	8719514201972
Numerator - Packs per outer box	1
EAN/UPC - Case	8719514201972
Product family code	BDS490 [CityCharm Cordoba]

CityCharm Cordoba

Dimensional drawing



Photometric data



Polar Normal (separate) - BDS4901 - 912300024689

