



CityCharm Cone

BDS491 LED70-/830 I S GRB GR 60

CityCharm Cone, Urban road & street light, 53 W, 5670 lm, 3000 K, CRI80, Symmetrical, Safety class I, IP66

The CityCharm range is designed for use in urban areas where comfortable lighting, ambiance and design play an important role. It offers two iconic, timeless designs (Cordoba and Cone) and various accessories, enabling you to create a lighting solution that carries your signature, both by day and by night. CityCharm provides high visual comfort while maintaining excellent performance. It offers a choice of two innovative new Philips Lighting technologies: GentleBeam, which maximizes visual comfort, or ClearGuide, which optimizes vertical illumination and visual guidance. A variety of dedicated brackets and masts enables you to reshape your residential areas and city centers in the most elegant way imaginable. Further information about GentleBeam and ClearGuide technology can be found in the Product Guide.

Product data

General Information	
Lamp family code	LED70 [LED module 7000 lm]
Light source replaceable	Yes
Number of gear units	1 unit
Driver included	Yes
Light source engine type	LED
Service tag	Yes
Lighting Technology	LED
Value ladder	Performance
Warranty period	5 years

Light Technical	
Upward light output ratio	0.0136
Luminous Flux	5,670 lm
Correlated Color Temperature (Nom)	3000 K
Luminous Efficacy (rated) (Nom)	107 lm/W
Color rendering index (CRI)	80
Light source color	830 warm white
Luminaire light beam spread	360°
Optic type outdoor	Symmetrical
Effective projected area	0.1155 m ²

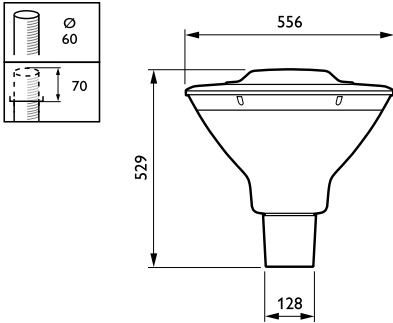
CityCharm Cone

Operating and Electrical	
Input Voltage	220 to 240 V
Line Frequency	50 to 60 Hz
Inrush current	47 A
Inrush time	0.25 ms
Power Consumption	53 W
Power Factor (Fraction)	0.99
Connection	Flying leads/wires
Cable	Cable 0.2 m without plug
Number of products on MCB of 16 A type B	10
Protection class IEC	Safety class I
Surge Protection (Common/Differential)	Surge protection level until 6 kV differential mode and 8 kV common mode
Controls and Dimming	
Dimmable	No
Driver/power unit/transformer	Power supply unit regulating
Control interface	-
Constant light output	No
Maximum dim level	Not applicable
Mechanical and Housing	
Housing Material	Aluminum
Reflector material	-
Optic material	Polycarbonate
Optical cover material	Polycarbonate
Fixation material	Aluminum
Housing Color	Gray
Mounting device	Spigot for diameter 60 mm
Optical cover shape	Hemispherical
Optical cover finish	Clear
Overall height	530 mm
Overall diameter	555 mm
Ingress protection code	IP66 [Dust penetration-protected, jet-proof]
Mech. impact protection code	IK10 [20 J vandal-resistant]
Standard tilt angle posttop	0°
Standard tilt angle side entry	0°
Optical cover type	Polycarbonate bowl/cover
Net Weight (Piece)	12.000 kg
Approval and Application	
Flammability mark	-
CE mark	Yes
ENEC mark	ENEC mark
EU RoHS compliant	Yes
Performance ambient temperature Tq	25 °C
Remarks	* At extreme ambient temperatures the luminaire might automatically dim down to protect components

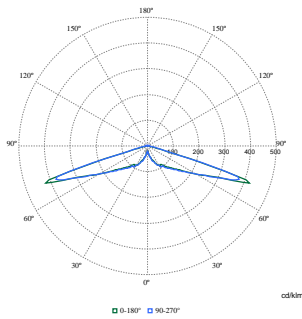
Ambient temperature range	-40 to +50 °C
Initial Performance (IEC Compliant)	
Luminous flux tolerance	+/-10%
Initial chromaticity	(0.4339, 0.4032) SDCM <5
Power consumption tolerance	+/-10%
Init. Color Rendering Index Tolerance	+/-2
Standard Deviation of Colour Matching (McAdam ellipse)	SDCM≤5
Over Time Performance (IEC Compliant)	
Control gear failure rate at median useful life 100000 h	10 %
Lumen maintenance (EN-IEC 62722-2-1) at median useful life* 100000 h	L97
Sustainability Data	
Sustainability rating	Unclassified
Serviceability class	Class A, luminaire is equipped with serviceable parts (when applicable): LED board, driver, control units, surge protection device, optics, front cover and mechanical parts
Embedded carbon (A1-A3)	107 kg CO ₂ e
Product non-virgin material ratio	36 %
Recyclable content ratio of the finished product	37 %
GWP total B6 (kg CO ₂ eq) Declared Unit	Please calculate using your local energy mix value: Power Declared Unit (kW) * Service life (hrs) Declared Unit * Energy mix (kg CO ₂ eq / kWh)
GWP total B6 (kg CO ₂ eq) Functional Unit	Please calculate using your local energy mix value: Power Declared Unit (kW) * 1000 (lm) / lumen output (lm) Declared Unit * 35000 (hrs) * Energy mix (kg CO ₂ eq / kWh)
Product Data	
Order product name	BDS491 LED70-/830 I S GRB GR 60
Full product name	BDS491 LED70-/830 I S GRB GR 60
Full product code	871951420195800
Order code	912300024687
Material Nr. (12NC)	912300024687
Numerator - Quantity Per Pack	1
EAN/UPC - Product/Case	8719514201958
Numerator - Packs per outer box	1
EAN/UPC - Case	8719514201958
Product family code	BDS491 [CityCharm Cone]

CityCharm Cone

Dimensional drawing



Photometric data



Polar Normal (separate) - BDS4901 - 912300024687

