



CitySoul gen2 LED Mini

BPP532 LED60-4S/830 II DM50 D9 SRG10ALGR

CitySoul gen2 LED Mini, Urban road & street light, 46.5 W, 4920 lm, 3000 K, CRI80, DALI, Distribution medium 50, Safety class II, IP66, SRG10-10

CitySoul LED gen2 is one of our most versatile and iconic luminaires, designed to bring elegance, efficiency, and ambience to every cityscape. Its rounded, minimalist form with seamless bracket transitions creates a coherent identity across residential areas, main roads, and vibrant city centers. This modular family offers multiple sizes, mounting, and bracket options—giving lighting designers the flexibility to adapt to any urban environment without compromising on aesthetics. Powered by our proven LEDGINE-O platform and now enhanced with the innovative LEDGINE-P for even higher efficacy, CitySoul LED gen2 delivers the right light, exactly where it’s needed. Application-specific optics ensure safety, comfort, and reduced energy use, while dedicated light recipes preserve dark skies and support healthier ecosystems. With one or two System Ready (SR) sockets, CitySoul LED gen2 is fully prepared for connected lighting and advanced control platforms such as Interact, helping municipalities unlock further energy savings, operational insights, and long-term sustainability.

Product data

General Information		Service tag	Yes
Lamp family code	LED60 [LED module 6000 lm]	Lighting Technology	LED
Light source replaceable	Yes	Value ladder	Performance
Number of gear units	1 unit	Serviceability class	Class A, luminaire is equipped with serviceable parts (when applicable): LED board, driver, control units, surge protection
Driver included	Yes		
Light source engine type	LED		

CitySoul gen2 LED Mini

	device, optics, front cover and mechanical parts
Warranty period	5 years
Sustainability rating	Unclassified

Light Technical

Upward light output ratio	0.03
Luminous Flux	4,920 lm
Correlated Color Temperature (Nom)	3000 K
Luminous Efficacy (rated) (Nom)	106 lm/W
Color rendering index (CRI)	80
Number of light sources	30
Light source color	830 warm white
Luminaire light beam spread	-
Optic type outdoor	Distribution medium 50
Effective projected area	0.079 m ²

Sustainability Data

Embedded carbon (A1-A3)	113 kg CO ₂ e
Recyclable content ratio of the finished product	59.8 %
Product non-virgin material ratio	48.5 %
GWP total B6 (kg CO ₂ eq) Declared Unit	Please calculate using your local energy mix value: Power Declared Unit (kW) * Service life (hrs) Declared Unit * Energy mix (kg CO ₂ eq / kWh)
GWP total B6 (kg CO ₂ eq) Functional Unit	Please calculate using your local energy mix value: Power Declared Unit (kW) * 1000 (lm) / lumen output (lm) Declared Unit * 35000 (hrs) * Energy mix (kg CO ₂ eq / kWh)

Operating and Electrical

Input Voltage	220 to 240 V
Line Frequency	50 to 60 Hz
Inrush current	46 A
Inrush time	0.25 ms
Power Consumption	46.5 W
Power Factor (Fraction)	0.98
Connection	Screw connection block
Cable	-
Number of products on MCB of 16 A type B	11
Protection class IEC	Safety class II
Surge Protection (Common/Differential)	Surge protection level until 10 kV differential mode and 10 kV common mode

Controls and Dimming

Dimmable	Yes
Driver/power unit/transformer	Power supply unit with DALI interface
Control interface	DALI
Constant light output	No
DALI Standard	DALI-2™

Maximum dim level	10%
-------------------	-----

Mechanical and Housing

Housing Material	Aluminum
Reflector material	Acrylate
Optic material	Polymethyl methacrylate
Optical cover material	Glass
Fixation material	Aluminum
Housing Color	Gray
Mounting device	-
Optical cover shape	Flat
Optical cover finish	Clear
Overall height	95 mm
Overall diameter	540 mm
Parts color	All parts colored
Ingress protection code	IP66 [Dust penetration-protected, jet-proof]
Mech. impact protection code	IK08 [5 J vandal-protected]
Standard tilt angle posttop	-
Standard tilt angle side entry	-
Optical cover type	Flat glass
Net Weight (Piece)	13.300 kg

Approval and Application

Flammability mark	-
CE mark	Yes
ENEC mark	ENEC mark
EU RoHS compliant	Yes
Performance ambient temperature Tq	25 °C
Remarks	* At extreme ambient temperatures the luminaire might automatically dim down to protect components
Ambient temperature range	-40 to +50 °C

Initial Performance (IEC Compliant)

Luminous flux tolerance	+/-7%
Initial chromaticity	(0.43, 0.40) SDCM <5
Power consumption tolerance	+/-10%
Init. Color Rendering Index Tolerance	+/-2
Standard Deviation of Colour Matching (McAdam ellipse)	SDCM≤5

Over Time Performance (IEC Compliant)

Control gear failure rate at median useful life 100000 h	10 %
Lumen maintenance (EN-IEC 62722-2-1) at median useful life* 100000 h	L97

Product Data

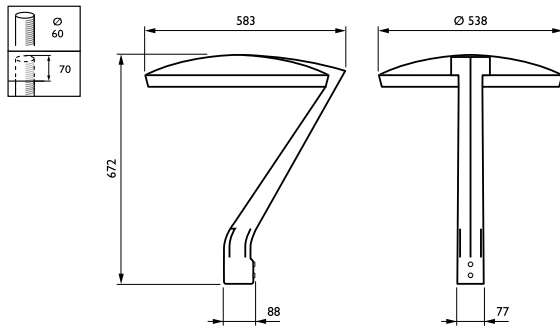
Order product name	BPP532 LED60-4S/830 II DM50 D9 SRG10ALGR
Full product name	BPP532 LED60-4S/830 II DM50 D9 SRG10ALGR

CitySoul gen2 LED Mini

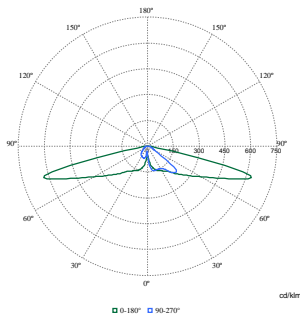
Full product code	871869989203600
Order code	912300024530
Material Nr. (12NC)	912300024530
Numerator - Quantity Per Pack	1
EAN/UPC - Product/Case	8718699892036

Numerator - Packs per outer box	1
EAN/UPC - Case	8718699892036
Product family code	BPP532 [CitySoul gen2 LYRE]

Dimensional drawing



Photometric data



Polar Normal (separate) - BPP530I - 912300024530

