



BSP768 LW LED50/830 II
DM50 MK-BK FG BAL

912300024430



Villa LED gen2, Urban road & street light, 38 W, 3450 lm, 3000 K, CRI80, Distribution medium 50, Safety class II, IP66

Urban road & street light, Aluminum, Black, Suspension set simple, standard, Power supply unit (On/Off), 3450 lm, 38 W, 91 lm/W, 3000 K, (0.381, 0.379) SDCM <5, CRI80, Distribution medium 50, IP66 | Dust penetration-protected, jet-proof, IK09 | 10 J, Safety class II, Surge protection level until 6 kV differential mode and 8 kV common mode, Plug-in connector 2-pole Wieland/Adels compatible

General Information

Lamp family code	LED50 [LED module 5000 lm]
Light source replaceable	Yes
Number of gear units	1 unit
Driver included	Yes
Light source engine type	LED
Service tag	Yes
Lighting Technology	LED
Value ladder	Performance
Warranty period	5 years

Light Technical

Upward light output ratio	0.01
Luminous Flux	3,450 lm
Correlated Color Temperature (Nom)	3000 K
Luminous Efficacy (rated) (Nom)	91 lm/W
Color rendering index (CRI)	80
Light source color	830 warm white
Luminaire light beam spread	30° - 5° x 153°
Optic type outdoor	Distribution medium 50
Effective projected area	0.2 m ²

Operating and Electrical

Input Voltage	220 to 240 V
Line Frequency	50 to 60 Hz
Inrush current	46 A
Inrush time	0.25 ms
Power Consumption	38 W
Power Factor (Fraction)	0.97
Connection	Plug-in connector 2-pole Wieland/Adels compatible
Cable	-
Number of products on MCB of 16 A type B	11
Protection class IEC	Safety class II
Surge Protection (Common/Differential)	Surge protection level until 6 kV differential mode and 8 kV common mode

Controls and Dimming

Dimmable	No
Driver/power unit/transformer	Power supply unit (On/Off)
Control interface	-
Constant light output	No
DALI Standard	D4i™

Mechanical and Housing

Housing Material	Aluminum
Reflector material	-
Optic material	Polymethyl methacrylate
Optical cover material	Glass
Fixation material	Aluminum
Housing Color	Black
Mounting device	Suspension set simple, standard
Optical cover shape	Flat
Optical cover finish	Clear
Overall length	400 mm
Overall width	400 mm
Overall height	692 mm
Dimensions (Height x Width x Depth)	692 x 400 x 400 mm
Ingress protection code	IP66 [Dust penetration-protected, jet-proof]
Mech. impact protection code	IK09 [10 J]
Standard tilt angle posttop	-
Standard tilt angle side entry	-
Optical cover type	Flat glass
Net Weight (Piece)	9.400 kg

Approval and Application

Flammability mark	-
CE mark	Yes
ENEC mark	ENEC mark
Photobiological risk	Photobiological risk group 0 @200mm to EN62778
EU RoHS compliant	Yes
Performance ambient temperature Tq	25 °C
Remarks	* At extreme ambient temperatures the luminaire might automatically dim down to protect components
Ambient temperature range	-40 to +50 °C

Initial Performance (IEC Compliant)

Luminous flux tolerance	+/-7%
Initial chromaticity	(0.381, 0.379) SDCM <5
Power consumption tolerance	+/-10%
Init. Color Rendering Index Tolerance	+/-2
Standard Deviation of Colour Matching (McAdam ellipse)	SDCM≤5

Over Time Performance (IEC Compliant)

Control gear failure rate at median useful life 100000 h	10 %
Lumen maintenance (EN-IEC 62722-2-1) at median useful life* 100000 h	L97

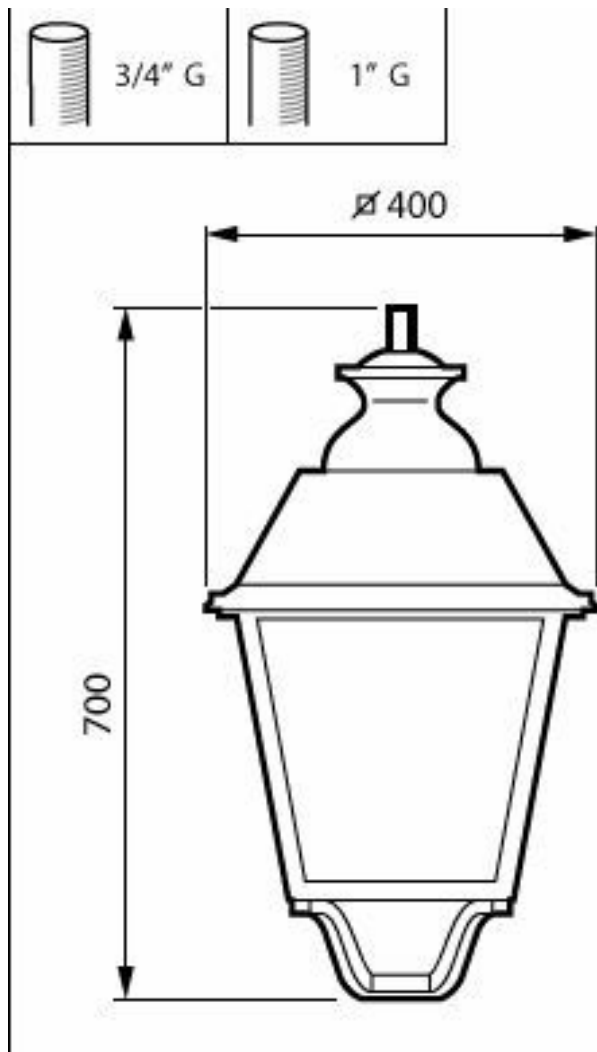
Sustainability Data

Sustainability rating	Unclassified
Repair class	Repair Class C, the driver of this luminaire can be replaced by a service technician. Special care is required during disassembly and reassembly, and specific tools may be required. Parts and documentation are available for a period of time.
Embedded carbon (A1-A3)	174 kg CO ₂ e
Product non-virgin material ratio	6.03 %
Recyclable content ratio of the finished product	58.5 %
GWP total B6 (kg CO ₂ eq) Declared Unit	Please calculate using your local energy mix value: Power Declared Unit (kW) * Service life (hrs) Declared Unit * Energy mix (kg CO ₂ eq / kWh)
GWP total B6 (kg CO ₂ eq) Functional Unit	Please calculate using your local energy mix value: Power Declared Unit (kW) * 1000 (lm) /lumen output (lm) Declared Unit * 35000 (hrs) * Energy mix (kg CO ₂ eq / kWh)

Product Data

Order product name	BSP768 LW LED50/830 II DM50 MK-BK FG BAL
Full product name	BSP768 LW LED50/830 II DM50 MK-BK FG BAL
Full product code	871869988107800
Order code	88107800
Material Nr. (12NC)	912300024430
Numerator - Quantity Per Pack	1
EAN/UPC - Product/Case	8718699881078
Numerator - Packs per outer box	1
EAN/UPC - Case	8718699881078
Product family code	BSP768 [VILLA LED GEN2]

Dimensional drawing



Polar normal diagrams

