



TownTune Central Post-Top

BDP260 LED35-4S/740 PSU II DS50 CLO 62P

TownTune Central Post-Top, Urban road & street light, 21.5 W, 2482 lm, 4000 K, CRI70, Distribution symmetrical 50, Safety class II, IP66, STD

Designed to enhance existing and scalable urban spaces, the TownTune family offers all the latest lighting innovations in terms of performance, quality of light and connectivity. The family consists of four solutions: a Central Post Top (CPT), an Asymmetric Spigot Post Top / Side Entry version (ASY), a version with an extending Lyre post top bracket (Lyre), and a Central Post Top with a Conical Comfort Bowl (CCB). Each TownTune luminaire can be customized with a choice of different shapes on top of the housing, plus there's the option to add a decorative ring, which comes in two colors (excluding CCB). Design options that enable you to create your very own lighting signature and bring a distinctive identity to districts and cities. In addition, every luminaire in the TownTune family is uniquely identifiable, thanks to the Signify Service tag app. By simply scanning a QR code, placed inside the door of the mast or directly on the luminaire, you can instantly access the configuration of the luminaire. This makes maintenance and programming operations faster and easier and enables you to create your digital library of lighting assets and spare parts. TownTune also uses the LEDGINE-O lighting platform, ensuring you always have the right amount and direction of light on your street. Furthermore, thanks to being system ready (SR), TownTune is also future proof. A solution that's ready to be paired with both standalone and advanced control and lighting software applications such as Interact City.

Product data

TownTune Central Post-Top

General Information	
Lamp family code	LED35 [LED module 3500 lm]
Light source replaceable	Yes
Number of gear units	1 unit
Driver included	Yes
Light source engine type	LED
Service tag	Yes
Lighting Technology	LED
Value ladder	Performance
Serviceability class	Class A, luminaire is equipped with serviceable parts (when applicable): LED board, driver, control units, surge protection device, optics, front cover and mechanical parts
Warranty period	5 years
Sustainability rating	Signify Circle

Light Technical	
Upward light output ratio	0
Luminous Flux	2,482 lm
Correlated Color Temperature (Nom)	4000 K
Luminous Efficacy (rated) (Nom)	115 lm/W
Color rendering index (CRI)	70
Number of light sources	12
Light source color	740 neutral white
Luminaire light beam spread	152° x 155°
Optic type outdoor	Distribution symmetrical 50
Effective projected area	0.042 m ²

Sustainability Data	
Product non-virgin material ratio	55.2 %
GWP total B6 (kg CO2eq) Declared Unit	Please calculate using your local energy mix value: Power Declared Unit (kW) * Service life (hrs) Declared Unit * Energy mix (kg CO2eq / kwh)
GWP total B6 (kg CO2eq) Functional Unit	Please calculate using your local energy mix value: Power Declared Unit (kW) * 1000 (lm) / lumen output (lm) Declared Unit * 35000 (hrs) * Energy mix (kg CO2 eq / kwh)

Operating and Electrical	
Input Voltage	220-240 V
Line Frequency	50 to 60 Hz
Initial CLO power consumption	21.5 W
Average CLO power consumption	22 W
End CLO power consumption	22.5 W
Inrush current	15 A
Inrush time	0.295 ms
Power Consumption	21.5 W
Power Factor (Fraction)	0.99
Connection	Internal connector
Cable	-

Number of products on MCB of 16 A type B	29
Protection class IEC	Safety class II
Surge Protection (Common/Differential)	Standard surge protection level

Controls and Dimming	
Dimmable	Yes
Driver/power unit/transformer	Power supply unit external (On/Off)
Control interface	-
Constant light output	Yes
DALI Standard	DALI-2™
Maximum dim level	10%
Embedded control	Constant light output

Mechanical and Housing	
Housing Material	Aluminum die cast
Reflector material	Acrylate
Optic material	Polymethyl methacrylate
Optical cover material	Polymethyl methacrylate
Fixation material	Aluminum
Housing Color	Gray
Mounting device	Post-top for diameter 62 mm
Optical cover shape	Convex lens
Optical cover finish	Clear
Overall height	187 mm
Overall diameter	477 mm
Ingress protection code	IP66 [Dust penetration-protected, jet-proof]
Mech. impact protection code	IK10 [20 J vandal-resistant]
Standard tilt angle posttop	0°
Standard tilt angle side entry	-
Optical cover type	Polycarbonate bowl/cover UV-resistant
Net Weight (Piece)	6.800 kg

Approval and Application	
Flammability mark	For mounting on normally flammable surfaces
CE mark	Yes
ENEC mark	ENEC mark
Photobiological risk	Photobiological risk group 1 @200mm to EN62778
EU RoHS compliant	Yes
Performance ambient temperature Tq	25 °C
Remarks	* At extreme ambient temperatures the luminaire might automatically dim down to protect components
Ambient temperature range	-40 to +50 °C

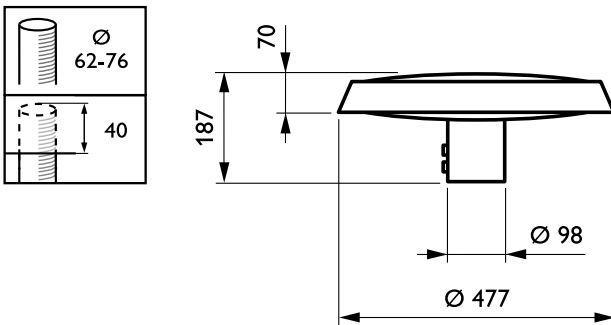
Initial Performance (IEC Compliant)	
Luminous flux tolerance	+/-7%
Initial chromaticity	(0.381, 0.379) SDCM <5
Power consumption tolerance	+/-10%
Init. Color Rendering Index Tolerance	+/-2

TownTune Central Post-Top

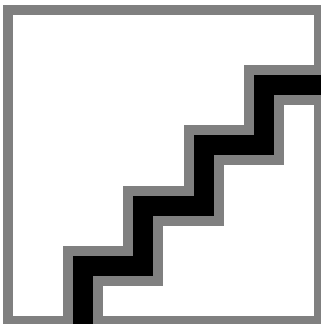
Standard Deviation of Colour Matching (McAdam ellipse)	SDCM≤5
Over Time Performance (IEC Compliant)	
Driver failure rate at 5000 h	0.5 %
Control gear failure rate at median useful life 100000 h	10 %
Lumen maintenance (EN-IEC 62722-2-1) at L100 median useful life* 100000 h	
Product Data	
Order product name	BDP260 LED35-4S/740 PSU II DS50 CLO 62P

Full product name	BDP260 LED35-4S/740 PSU II DS50 CLO 62P
Full product code	871869987862700
Order code	912300024405
Material Nr. (12NC)	912300024405
Numerator - Quantity Per Pack	1
EAN/UPC - Product/Case	8718699878627
Numerator - Packs per outer box	1
EAN/UPC - Case	8718699878627
Product family code	BDP260 [TOWNTUNE CENTRAL POST-TOP]

Dimensional drawing



Photometric data



Polar Normal (separate) - BDP260I - 912300024405

TownTune Central Post-Top

