



BDP260 LED35-4S/830
PSU II DS50 CLO 62P

912300024404



TownTune Central Post-Top, Urban road & street light, 26.5 W, 2448 lm, 3000 K, CRI80, Distribution symmetrical 50, Safety class II, IP66, STD

Urban road & street light, Aluminum die cast, Gray, Post-top for diameter 62 mm, Power supply unit external (On/Off), Constant light output, 2448 lm, 26.5 W, 92 lm/W, 3000 K, (0.410, 0.390) SDCM <5, CRI80, Distribution symmetrical 50, IP66 | Dust penetration-protected, jet-proof, IK10 | 20 J vandal-resistant, Safety class II, Standard surge protection level, Internal connector

General Information

Lamp family code	LED35 [LED module 3500 lm]
Light source replaceable	Yes
Number of gear units	1 unit
Driver included	Yes
Light source engine type	LED
Service tag	Yes
Lighting Technology	LED
Value ladder	Performance
Warranty period	5 years

Light Technical

Upward light output ratio	0
Luminous Flux	2,448 lm
Correlated Color Temperature (Nom)	3000 K
Luminous Efficacy (rated) (Nom)	92 lm/W
Color rendering index (CRI)	80
Number of light sources	20
Light source color	830 warm white
Luminaire light beam spread	152° x 155°
Optic type outdoor	Distribution symmetrical 50
Effective projected area	0.042 m ²

Operating and Electrical

Input Voltage	220-240 V
Line Frequency	50 to 60 Hz
Initial CLO power consumption	26.5 W
Average CLO power consumption	27 W
End CLO power consumption	27.5 W
Inrush current	21 A
Inrush time	0.225 ms
Power Consumption	26.5 W
Power Factor (Fraction)	0.97
Connection	Internal connector
Cable	-
Number of products on MCB of 16 A type B	26

Protection class IEC	Safety class II
Surge Protection (Common/Differential)	Standard surge protection level

Controls and Dimming

Dimmable	Yes
Driver/power unit/transformer	Power supply unit external (On/Off)
Control interface	-
Constant light output	Yes
DALI Standard	DALI-2™
Maximum dim level	10%
Embedded control	Constant light output

Mechanical and Housing

Housing Material	Aluminum die cast
Reflector material	Acrylate
Optic material	Polymethyl methacrylate
Optical cover material	Polymethyl methacrylate
Fixation material	Aluminum
Housing Color	Gray
Mounting device	Post-top for diameter 62 mm
Optical cover shape	Convex lens
Optical cover finish	Clear
Overall height	187 mm
Overall diameter	477 mm
Ingress protection code	IP66 [Dust penetration-protected, jet-proof]
Mech. impact protection code	IK10 [20 J vandal-resistant]
Standard tilt angle posttop	0°
Standard tilt angle side entry	-
Optical cover type	Polycarbonate bowl/cover UV-resistant
Net Weight (Piece)	6.800 kg

Approval and Application

Flammability mark	For mounting on normally flammable surfaces
CE mark	Yes
ENEC mark	ENEC mark
Photobiological risk	Photobiological risk group 1 @200mm to EN62778
EU RoHS compliant	Yes
Performance ambient temperature Tq	25 °C
Remarks	* At extreme ambient temperatures the luminaire might automatically dim down to protect components
Ambient temperature range	-40 to +50 °C

Initial Performance (IEC Compliant)

Luminous flux tolerance	+/-7%
Initial chromaticity	(0.410, 0.390) SDCM <5
Power consumption tolerance	+/-10%
Init. Color Rendering Index Tolerance	+/-2
Standard Deviation of Colour Matching (McAdam ellipse)	SDCM≤5

Over Time Performance (IEC Compliant)

Driver failure rate at 5000 h	0.5 %
Control gear failure rate at median useful life 100000 h	10 %
Lumen maintenance (EN-IEC 62722-2-1) at median useful life* 100000 h	L100

Sustainability Data

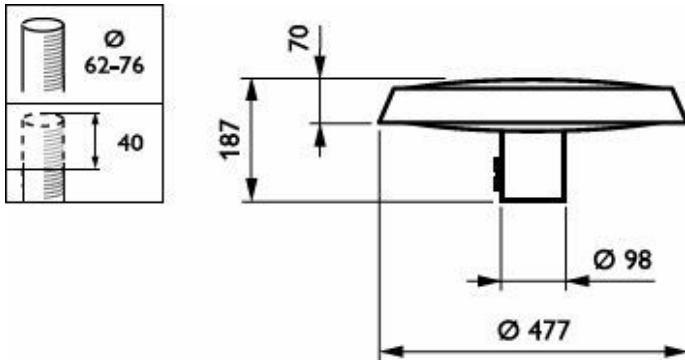
Sustainability rating	Unclassified
Repair class	Repair Class B, the driver and light source of this luminaire can be replaced by a service technician. Parts and documentation are available for an extended period of time.

Embedded carbon (A1-A3)	58.7 kg CO ₂ e
Product non-virgin material ratio	55.2 %
Recyclable content ratio of the finished product	55.2 %
GWP total B6 (kg CO ₂ eq) Declared Unit	Please calculate using your local energy mix value: Power Declared Unit (kW) * Service life (hrs) Declared Unit * Energy mix (kg CO ₂ eq / kwh)
GWP total B6 (kg CO ₂ eq) Functional Unit	Please calculate using your local energy mix value: Power Declared Unit (kW) * 1000 (lm) /lumen output (lm) Declared Unit * 35000 (hrs) * Energy mix (kg CO ₂ eq / kwh)
Non-virgin material ratio of the packaging	Cardboard > 80% recycled
Packaging Recyclable content ratio	Cardboard recycling rate > 80%
Packaging Material	Cardboard

Product Data

Order product name	BDP260 LED35-4S/830 PSU II DS50 CLO 62P
Full product name	BDP260 LED35-4S/830 PSU II DS50 CLO 62P
Full product code	871869987861000
Order code	87861000
Material Nr. (12NC)	912300024404
Numerator - Quantity Per Pack	1
EAN/UPC - Product/Case	8718699878610
Numerator - Packs per outer box	1
EAN/UPC - Case	8718699878610
Product family code	BDP260 [TOWNTUNE CENTRAL POST-TOP]

Dimensional drawing



Polar normal diagrams

