



TownTune Central Post-Top

BDP260 LED39-4S/740 II DW10 62P

TownTune Central Post-Top, Urban road & street light, 24 W, 2925 lm, 4000 K, CRI70, Distribution wide 10, Safety class II, IP66, STD

Designed to enhance existing and scalable urban spaces, the TownTune family offers all the latest lighting innovations in terms of performance, quality of light and connectivity. The family consists of four solutions: a Central Post Top (CPT), an Asymmetric Spigot Post Top / Side Entry version (ASY), a version with an extending Lyre post top bracket (Lyre), and a Central Post Top with a Conical Comfort Bowl (CCB). Each TownTune luminaire can be customized with a choice of different shapes on top of the housing, plus there's the option to add a decorative ring, which comes in two colors (excluding CCB). Design options that enable you to create your very own lighting signature and bring a distinctive identity to districts and cities. In addition, every luminaire in the TownTune family is uniquely identifiable, thanks to the Signify Service tag app. By simply scanning a QR code, placed inside the door of the mast or directly on the luminaire, you can instantly access the configuration of the luminaire. This makes maintenance and programming operations faster and easier and enables you to create your digital library of lighting assets and spare parts. TownTune also uses the LEDGINE-O lighting platform, ensuring you always have the right amount and direction of light on your street. Furthermore, thanks to being system ready (SR), TownTune is also future proof. A solution that's ready to be paired with both standalone and advanced control and lighting software applications such as Interact City.

Product data

TownTune Central Post-Top

| General Information | |
|--------------------------|----------------------------|
| Lamp family code | LED39 [LED module 3900 lm] |
| Light source replaceable | Yes |
| Number of gear units | 1 unit |
| Driver included | Yes |
| Light source engine type | LED |
| Service tag | Yes |
| Lighting Technology | LED |
| Value ladder | Performance |
| Warranty period | 5 years |

| Light Technical | |
|------------------------------------|----------------------|
| Upward light output ratio | 0 |
| Luminous Flux | 2,925 lm |
| Correlated Color Temperature (Nom) | 4000 K |
| Luminous Efficacy (rated) (Nom) | 122 lm/W |
| Color rendering index (CRI) | 70 |
| Light source color | 740 neutral white |
| Luminaire light beam spread | 7° - 52° × 150° |
| Optic type outdoor | Distribution wide 10 |
| Effective projected area | 0.042 m ² |

| Operating and Electrical | |
|--|---------------------------------|
| Input Voltage | 220 to 240 V |
| Line Frequency | 50 to 60 Hz |
| Inrush current | 21 A |
| Inrush time | 0.225 ms |
| Power Consumption | 24 W |
| Power Factor (Fraction) | 0.97 |
| Connection | Internal connector |
| Cable | - |
| Number of products on MCB of 16 A type B | 26 |
| Protection class IEC | Safety class II |
| Surge Protection (Common/Differential) | Standard surge protection level |

| Controls and Dimming | |
|-------------------------------|----------------------------|
| Dimmable | No |
| Driver/power unit/transformer | Power supply unit (On/Off) |
| Control interface | - |
| Constant light output | No |
| Maximum dim level | 10% |

| Mechanical and Housing | |
|------------------------|-----------------------------|
| Housing Material | Aluminum die cast |
| Reflector material | Acrylate |
| Optic material | Polymethyl methacrylate |
| Optical cover material | Polymethyl methacrylate |
| Fixation material | Aluminum |
| Housing Color | Gray |
| Mounting device | Post-top for diameter 62 mm |

| | |
|--------------------------------|--|
| Optical cover shape | Convex lens |
| Optical cover finish | Clear |
| Overall height | 187 mm |
| Overall diameter | 477 mm |
| Ingress protection code | IP66 [Dust penetration-protected, jet-proof] |
| Mech. impact protection code | IK10 [20 J vandal-resistant] |
| Standard tilt angle posttop | 0° |
| Standard tilt angle side entry | - |
| Optical cover type | Polycarbonate bowl/cover UV-resistant |
| Net Weight (Piece) | 6.800 kg |

| Approval and Application | |
|------------------------------------|--|
| Flammability mark | For mounting on normally flammable surfaces |
| CE mark | Yes |
| ENEC mark | ENEC mark |
| Photobiological risk | Photobiological risk group 1 @200mm to EN62778 |
| EU RoHS compliant | Yes |
| Performance ambient temperature Tq | 25 °C |
| Remarks | * At extreme ambient temperatures the luminaire might automatically dim down to protect components |
| Ambient temperature range | -40 to +50 °C |

| Initial Performance (IEC Compliant) | |
|--|------------------------|
| Luminous flux tolerance | +/-7% |
| Initial chromaticity | (0.381, 0.379) SDCM <5 |
| Power consumption tolerance | +/-10% |
| Init. Color Rendering Index Tolerance | +/-2 |
| Standard Deviation of Colour Matching (McAdam ellipse) | SDCM≤5 |

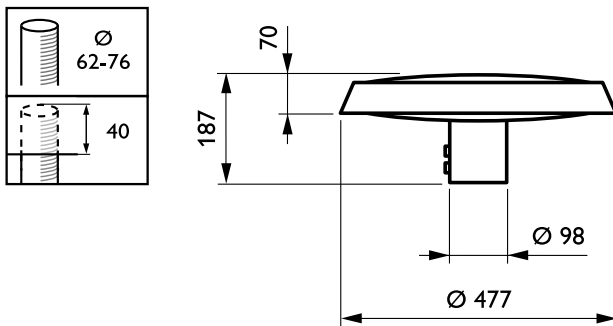
| Over Time Performance (IEC Compliant) | |
|--|-------|
| Driver failure rate at 5000 h | 0.5 % |
| Control gear failure rate at median useful life 100000 h | 10 % |
| Lumen maintenance (EN-IEC 62722-2-1) at median useful life* 100000 h | L97 |

| Sustainability Data | |
|--|--|
| Sustainability rating | Signify Circle |
| Repair class | Repair Class B, the driver and light source of this luminaire can be replaced by a service technician. Parts and documentation are available for an extended period of time. |
| Embedded carbon (A1-A3) | 58.7 kg CO _{2e} |
| Product non-virgin material ratio | 55.2 % |
| Recyclable content ratio of the finished product | 55.2 % |
| GWP total B6 (kg CO _{2eq}) Declared Unit | Please calculate using your local energy mix value: Power Declared Unit (kW) * Service life |

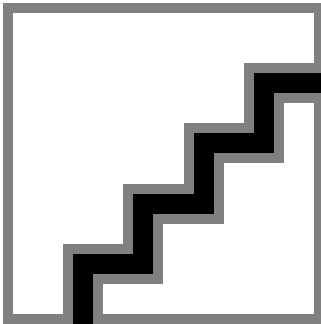
TownTune Central Post-Top

| | | | |
|--|---|--|------------------------------------|
| | (hrs) Declared Unit * Energy mix (kg CO2eq / kwh) | Full product code | 871869986495800 |
| GWP total B6 (kg CO2eq) Functional Unit | Please calculate using your local energy mix value: Power Declared Unit (kW) * 1000 (lm) / lumen output (lm) Declared Unit * 35000 (hrs) * Energy mix (kg CO2 eq / kwh) | Order code | 912300024258 |
| | | Material Nr. (12NC) | 912300024258 |
| | | Numerator - Quantity Per Pack | 1 |
| | | EAN/UPC - Product/Case | 8718699864958 |
| | | Numerator - Packs per outer box | 1 |
| | | EAN/UPC - Case | 8718699864958 |
| | | Product family code | BDP260 [TOWNTUNE CENTRAL POST-TOP] |
| Product Data | | | |
| Order product name | BDP260 LED39-4S/740 II DW10 62P | | |
| Full product name | BDP260 LED39-4S/740 II DW10 62P | | |

Dimensional drawing



Photometric data



Polar Normal (separate) - BDP260I - 912300024258

