



# TownTune Asymmetric DR

## BDP266 LED50-4S/740 DS50 DDF2 76A

TownTune Asymmetric DR, Urban road & street light, 29.5 W, 4050 lm, 4000 K, CRI70, Programmable (via DALI or NFC) stand-alone dimming, Distribution symmetrical 50, Safety class I, IP66, STD

Designed to enhance existing and scalable urban spaces, the TownTune family offers all the latest lighting innovations in terms of performance, quality of light and connectivity. The family consists of four solutions: a Central Post Top (CPT), an Asymmetric Spigot Post Top / Side Entry version (ASY), a version with an extending Lyre post top bracket (Lyre), and a Central Post Top with a Conical Comfort Bowl (CCB). Each TownTune luminaire can be customized with a choice of different shapes on top of the housing, plus there's the option to add a decorative ring, which comes in two colors (excluding CCB). Design options that enable you to create your very own lighting signature and bring a distinctive identity to districts and cities. In addition, every luminaire in the TownTune family is uniquely identifiable, thanks to the Signify Service tag app. By simply scanning a QR code, placed inside the door of the mast or directly on the luminaire, you can instantly access the configuration of the luminaire. This makes maintenance and programming operations faster and easier and enables you to create your digital library of lighting assets and spare parts. TownTune also uses the LEDGINE-O lighting platform, ensuring you always have the right amount and direction of light on your street. Furthermore, thanks to being system ready (SR), TownTune is also future proof. A solution that's ready to be paired with both standalone and advanced control and lighting software applications such as Interact City.

### Product data

# TownTune Asymmetric DR

General Information	
Lamp family code	LED50 [LED module 5000 lm]
Light source replaceable	Yes
Number of gear units	1 unit
Driver included	Yes
Light source engine type	LED
Service tag	Yes
Lighting Technology	LED
Value ladder	Performance
Warranty period	5 years

Light Technical	
Upward light output ratio	0
Luminous Flux	4,050 lm
Correlated Color Temperature (Nom)	4000 K
Luminous Efficacy (rated) (Nom)	137 lm/W
Color rendering index (CRI)	70
Light source color	740 neutral white
Luminaire light beam spread	152° x 155°
Optic type outdoor	Distribution symmetrical 50
Effective projected area	0.036 m <sup>2</sup>

Operating and Electrical	
Input Voltage	220 to 240 V
Line Frequency	50 or 60 Hz
Inrush current	43 A
Inrush time	0.26 ms
Power Consumption	29.5 W
Power Factor (Fraction)	0.96
Connection	Internal connector
Cable	-
Number of products on MCB of 16 A type B	10
Protection class IEC	Safety class I
Surge Protection (Common/Differential)	Standard surge protection level

Controls and Dimming	
Dimmable	Yes
Driver/power unit/transformer	Power supply unit with DALI interface
Control interface	Programmable (via DALI or NFC) stand-alone dimming
Constant light output	No
DALI Standard	DALI-2™
Maximum dim level	10%
Embedded control	DynaDimmer with fixed presets version 2

Mechanical and Housing	
Housing Material	Aluminum die cast
Reflector material	Acrylate
Optic material	Polymethyl methacrylate
Optical cover material	Polymethyl methacrylate
Fixation material	Aluminum

Housing Color	Gray
Mounting device	Post-top for diameter 76 mm adjustable
Optical cover shape	Convex lens
Optical cover finish	Clear
Overall height	131 mm
Overall diameter	533 mm
Ingress protection code	IP66 [Dust penetration-protected, jet-proof]
Mech. impact protection code	IK09 [10 J]
Standard tilt angle posttop	-
Standard tilt angle side entry	0°
Optical cover type	Polycarbonate bowl/cover UV-resistant
Net Weight (Piece)	6.800 kg

Approval and Application	
Flammability mark	For mounting on normally flammable surfaces
CE mark	Yes
ENEC mark	ENEC mark
Photobiological risk	Photobiological risk group 1 @200mm to EN62778
EU RoHS compliant	Yes
Performance ambient temperature Tq	25 °C
Remarks	* At extreme ambient temperatures the luminaire might automatically dim down to protect components
Ambient temperature range	-40 to +50 °C

Initial Performance (IEC Compliant)	
Luminous flux tolerance	+/-7%
Initial chromaticity	(0.381, 0.379) SDCM <5
Power consumption tolerance	+/-10%
Init. Color Rendering Index Tolerance	+/-2
Standard Deviation of Colour Matching (McAdam ellipse)	SDCM≤5

Over Time Performance (IEC Compliant)	
Driver failure rate at 5000 h	0.5 %
Control gear failure rate at median useful life 100000 h	10 %
Lumen maintenance (EN-IEC 62722-2-1) at median useful life* 100000 h	L97

Sustainability Data	
Sustainability rating	Signify Circle
Serviceability class	Class A, luminaire is equipped with serviceable parts (when applicable): LED board, driver, control units, surge protection device, optics, front cover and mechanical parts
Embedded carbon (A1-A3)	70.5 kg CO <sub>2</sub> e
Product non-virgin material ratio	47.7 %
Recyclable content ratio of the finished product	47.4 %

# TownTune Asymmetric DR

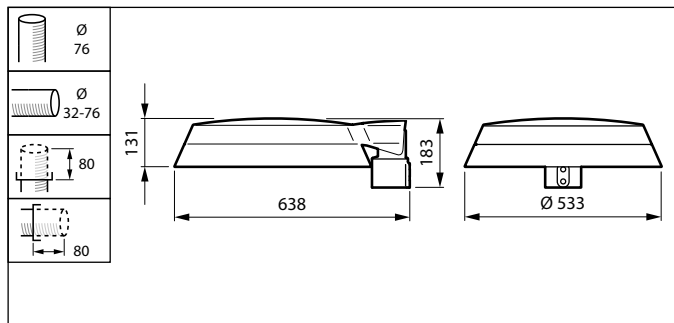
<b>GWP total B6 (kg CO2eq) Declared Unit</b>	Please calculate using your local energy mix value: Power Declared Unit (kW) * Service life (hrs) Declared Unit * Energy mix (kg CO2eq / kwh)
<b>GWP total B6 (kg CO2eq) Functional Unit</b>	Please calculate using your local energy mix value: Power Declared Unit (kW) * 1000 (lm) / lumen output (lm) Declared Unit * 35000 (hrs) * Energy mix (kg CO2 eq / kwh)

## Product Data

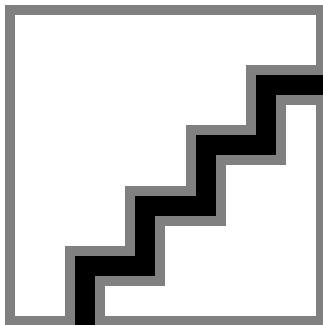
<b>Order product name</b>	BDP266 LED50-4S/740 DS50 DDF2 76A
<b>Full product name</b>	BDP266 LED50-4S/740 DS50 DDF2 76A

<b>Full product code</b>	871869949758300
<b>Order code</b>	49758300
<b>Material Nr. (12NC)</b>	912300024198
<b>Numerator - Quantity Per Pack</b>	1
<b>EAN/UPC - Product/Case</b>	8718699497583
<b>Numerator - Packs per outer box</b>	1
<b>EAN/UPC - Case</b>	8718699497583
<b>Product family code</b>	BDP266 [TOWNTUNE ASYMMETRIC DR]

## Dimensional drawing



## Photometric data



Polar Normal (separate) - BDP265I - 912300024198

## TownTune Asymmetric DR

