



BDP260 LED14-4S/740
DW10 CLO SRTB 76P

912300024159



TownTune Central Post-Top, Urban road & street light, 9.3 W, 1078 lm, 4000 K, CRI70, DALI, Distribution wide 10, Safety class I, IP66, STD

Urban road & street light, Aluminum die cast, Gray, Post-top for diameter 76 mm, Power supply unit with DALI and SystemReady interface, Constant light output, 1078 lm, 9.3 W, 116 lm/W, 4000 K, (0.381, 0.379) SDCM <5, CRI70, Distribution wide 10, IP66 | Dust penetration-protected, jet-proof, IK10 | 20 J vandal-resistant, Safety class I, Standard surge protection level, Internal connector

General Information

Lamp family code	LED14 [LED module 1400 lm]
Light source replaceable	Yes
Number of gear units	1 unit
Driver included	Yes
Light source engine type	LED
Service tag	Yes
Lighting Technology	LED
Value ladder	Performance
Warranty period	5 years

Light Technical

Upward light output ratio	0
Luminous Flux	1,078 lm
Correlated Color Temperature (Nom)	4000 K
Luminous Efficacy (rated) (Nom)	116 lm/W
Color rendering index (CRI)	70
Light source color	740 neutral white
Luminaire light beam spread	7° - 52° × 150°
Optic type outdoor	Distribution wide 10
Effective projected area	0.042 m ²

Operating and Electrical

Input Voltage	220 to 240 V
Line Frequency	50 to 60 Hz
Initial CLO power consumption	9.3 W
Average CLO power consumption	9.3 W
End CLO power consumption	9.4 W
Inrush current	21 A
Inrush time	0.3 ms
Power Consumption	9.3 W
Power Factor (Fraction)	0.86
Connection	Internal connector
Cable	-
Number of products on MCB of 16 A type B	30

Protection class IEC	Safety class I
Surge Protection (Common/Differential)	Standard surge protection level

Controls and Dimming

Dimmable	Yes
Driver/power unit/transformer	Power supply unit with DALI and SystemReady interface
Control interface	DALI
Constant light output	Yes
DALI Standard	D4i™
Maximum dim level	10%
Embedded control	Constant light output

Mechanical and Housing

Housing Material	Aluminum die cast
Reflector material	Acrylate
Optic material	Polymethyl methacrylate
Optical cover material	Polymethyl methacrylate
Fixation material	Aluminum
Housing Color	Gray
Mounting device	Post-top for diameter 76 mm
Optical cover shape	Convex lens
Optical cover finish	Clear
Overall height	187 mm
Overall diameter	477 mm
Ingress protection code	IP66 [Dust penetration-protected, jet-proof]
Mech. impact protection code	IK10 [20 J vandal-resistant]
Standard tilt angle posttop	0°
Standard tilt angle side entry	-
Optical cover type	Polycarbonate bowl/cover UV-resistant
Net Weight (Piece)	6.800 kg

Approval and Application

Flammability mark	For mounting on normally flammable surfaces
CE mark	Yes
ENEC mark	ENEC mark
Photobiological risk	Photobiological risk group 1 @200mm to EN62778
EU RoHS compliant	Yes
Performance ambient temperature Tq	25 °C
Remarks	* At extreme ambient temperatures the luminaire might automatically dim down to protect components
Ambient temperature range	-40 to +50 °C

Initial Performance (IEC Compliant)

Luminous flux tolerance	+/-7%
Initial chromaticity	(0.381, 0.379) SDCM <5
Power consumption tolerance	+/-10%
Init. Color Rendering Index Tolerance	+/-2
Standard Deviation of Colour Matching (McAdam ellipse)	SDCM≤5

Over Time Performance (IEC Compliant)

Driver failure rate at 5000 h	0.5 %
Control gear failure rate at median useful life 100000 h	10 %
Lumen maintenance (EN-IEC 62722-2-1) at median useful life* 100000 h	L100

Sustainability Data

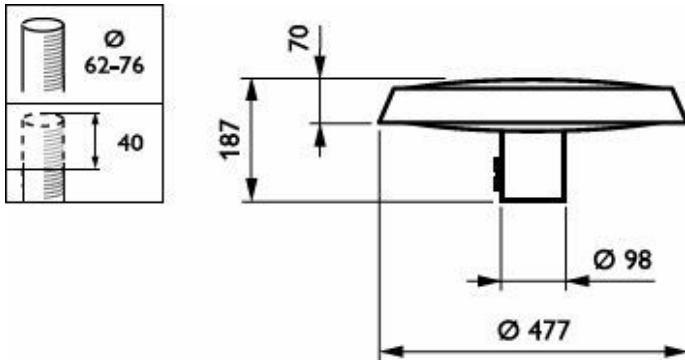
Sustainability rating	Signify Circle
Repair class	Repair Class B, the driver and light source of this luminaire can be replaced by a service technician. Parts and documentation are available for an extended period of time.

Embedded carbon (A1-A3)	58.7 kg CO ₂ e
Product non-virgin material ratio	55.2 %
Recyclable content ratio of the finished product	55.2 %
GWP total B6 (kg CO ₂ eq) Declared Unit	Please calculate using your local energy mix value: Power Declared Unit (kW) * Service life (hrs) Declared Unit * Energy mix (kg CO ₂ eq / kwh)
GWP total B6 (kg CO ₂ eq) Functional Unit	Please calculate using your local energy mix value: Power Declared Unit (kW) * 1000 (lm) /lumen output (lm) Declared Unit * 35000 (hrs) * Energy mix (kg CO ₂ eq / kwh)
Non-virgin material ratio of the packaging	Cardboard > 80% recycled
Packaging Recyclable content ratio	Cardboard recycling rate > 80%
Packaging Material	Cardboard

Product Data

Order product name	BDP260 LED14-4S/740 DW10 CLO SRTB 76P
Full product name	BDP260 LED14-4S/740 DW10 CLO SRTB 76P
Full product code	871869949028700
Order code	49028700
Material Nr. (12NC)	912300024159
Numerator - Quantity Per Pack	1
EAN/UPC - Product/Case	8718699490287
Numerator - Packs per outer box	1
EAN/UPC - Case	8718699490287
Product family code	BDP260 [TOWNTUNE CENTRAL POST-TOP]

Dimensional drawing



Polar normal diagrams

