



## JGB795 | CLASSICSTREET BRACKETS POSTTOP, Wall-mounting bracket, 750 mm, Black

Recalling the iconic beauty of 20th-century street lanterns, ClassicStreet combines elegant design with the subtle details of heritage luminaires while meeting today's urban lighting requirements. Though echoing the past, the ClassicStreet luminaire is very much shaped for the future. Its gently curved design, together with dedicated brackets and poles, creates a contemporary look that beautifies our cities and creates distinctive and warm night- and daytime ambiances. Not only in historical and traditional architectural settings, but also in more modern urban environments too. Designed around its LED engine, ClassicStreet delivers outstanding levels of lighting and energy performance.

## Mechanical and Housing

Bracket length	750 mm
Bracket color	Black
Bracket type	Wall-mounting bracket
Net Weight (Piece)	6.900 kg

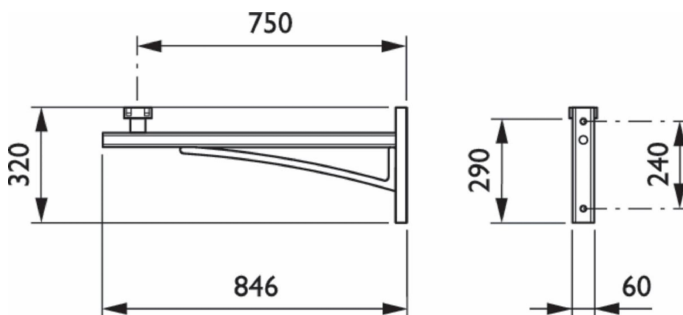
## Approval and Application

CE mark	Yes
EU RoHS compliant	Yes

## Sustainability Data

Non-virgin material ratio of the packaging	Cardboard > 80% recycled
Packaging Recyclable content ratio	Cardboard recycling rate > 80%
Packaging Material	Cardboard

## Dimensional drawing



## Product Data

Order product name	JGB795 MBW 750 BK
Full product name	JGB795 MBW 750 BK
Full product code	871794321650500
Order code	21650500
Material Nr. (12NC)	912300023373
Numerator - Quantity Per Pack	1
EAN/UPC - Product/Case	8717943216505
Numerator - Packs per outer box	1
EAN/UPC - Case	8717943216505
Product family code	JGB795 [CLASSICSTREET BRACKETS POSTTOP]