



# CoreLine Recessed Spot gen2

## RS151B LED12-WB-/840 D78 WIA PI6 WH

CoreLine Recessed Spot gen2, Adjustable, 12 W, D78 mm, 1200 lm, 4000 K, Wireless, Interact Ready, Wide beam, White, IP20/44

CoreLine Recessed Spot gen2 delivers on the CoreLine promise of innovative, easy to use and high-quality luminaires. Its modular design allows 'configure to fit' option that better responds to your specific needs. The range offers a wide range choice on light colour (CCT), light output, colour finish, frame types and connectivity options. The compact and lite design of CoreLine Recessed Spot gen2, always incorporating a push in connector allowing loop in/out wiring and supporting a wide range of wire diameters/cross-sectional area, makes installation hassle-free. High quality of light, numerous connectivity options, long luminaire lifetime and high system efficacy make CoreLine Recessed Spot gen2 an ideal accent solution for your indoor spot lighting applications.

### Warnings and Safety

- The luminaire should be installed and disassembled by a qualified electrician and wired in accordance with the latest IEE electrical regulations or the national requirements, as per the product mounting instructions.

### Product data

General Information		Serviceability class	
Light source replaceable	Yes	Class C, luminaire without serviceable parts, not serviceable	
Number of gear units	Unit	Warranty period	
Driver included	Yes	5 years	
Lighting Technology		Light Technical	
Value ladder	Performance	Luminous Flux	1,200 lm

## CoreLine Recessed Spot gen2

Saturated Red (R9)	<50
Correlated Colour Temperature (Nom)	4000 K
Luminous efficacy (rated) (nom.)	100 lm/W
Colour rendering index (CRI)	>80
Beam angle of light source	120 degree(s)
Light source colour	840 neutral white
Optic type	Wide beam
Luminaire light beam spread	38°
Unified Glare Rating (CEN)	24

### Operating and Electrical

Input Voltage	220 to 240 V
Line Frequency	50 or 60 Hz
Average CLO power consumption	- W
Inrush current	4.9 A
Inrush time	0.056 ms
Power Consumption	12 W
Power Factor (Fraction)	0.9
Connection	Push-in connector 3-pole
Cable	Cable 0.25 m with connector 3-pole
Number of products on MCB (16 A type B)	24
Suitable for random switching	No
Protection class IEC	Safety class II
Total harmonic distortion	20 %

### Controls and Dimming

Dimmable	Yes
Driver/power unit/transformer	Wireless driver Interact System-ready external
Control interface	Wireless
Constant light output	No
Maximum dim level	10% (depends on dimmer, ELV)
Connectivity	Interact Ready

### Mechanical and Housing

Housing material	Aluminium die-cast
Reflector material	-
Optic material	Polycarbonate
Optical cover/lens material	Polycarbonate
Fixation material	Steel
Housing Colour	White
Optical cover/lens finish	-
Overall height	60 mm
Overall diameter	95 mm
Ingress protection code	IP20/44 [Finger-protected; wire-protected, splash-proof]

Mech. impact protection code	IK03 [0.3 J]
Net Weight (Piece)	0.400 kg

### Approval and Application

Glow-wire test	Temperature 650 °C, duration 30 s
Flammability mark	For mounting on normally flammable surfaces
CE mark	Yes
ENEC mark	ENEC mark
Photobiological risk	Photobiological risk group 1 @200mm to EN62778
Photobiological risk specification	0.2 m
EU RoHS compliant	Yes
Performance ambient temperature Tq	25 °C
Flickering value (PstLM)	1
Stroboscopic effect	0.4
Ambient temperature range	0 to +35 °C

### Initial Performance (IEC Compliant)

Luminous flux tolerance	+/-10%
Initial chromaticity	(0.38, 0.38) SDCM <5
Power consumption tolerance	+/-10%
Standard Deviation of Colour Matching (McAdam ellipse)	SDCM≤5

### Over Time Performance (IEC Compliant)

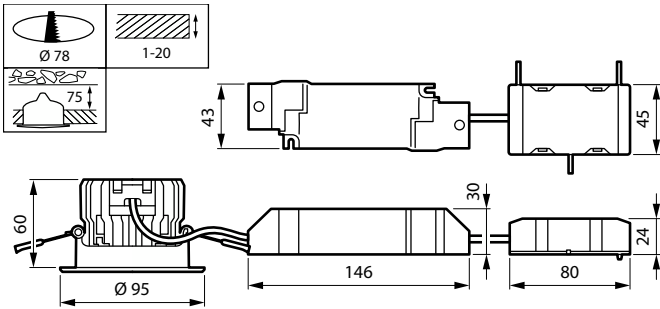
Control gear failure rate at median useful life	5 %
50,000 h	
Lumen maintenance (EN-IEC 62722-2-1) at median useful life* 50000 h	L70

### Product Data

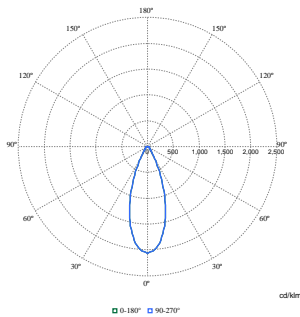
Order product name	RS151B LED12-WB-/840 D78 WIA PI6 WH
Full product name	RS151B LED12-WB-/840 D78 WIA PI6 WH
Full EOC	871951454823799
Order code	911401898682
Material no. (12 NC)	911401898682
Numerator – quantity per pack	1
EAN/UPC – Product/Case	8719514548237
Numerator – packs per outer box	18
EAN/UPC – Case	8719514548497

# CoreLine Recessed Spot gen2

## Dimensional drawing



## Photometric data



Polar Normal (separate) - null - 911401898682

