



CoreLine Recessed Spot gen2

RS151B LED12-WB-/840 D78 WIA PI6 WH

CoreLine Recessed Spot gen2, Adjustable, 12 W, D78 mm, 1200 lm, 4000 K, Wireless, Interact Ready, Wide beam, White, IP20/44

CoreLine Recessed Spot gen2, Adjustable, D78 mm, Aluminum die-cast, White, Recessed, Wireless driver Interact System ready external, 1200 lm, 12 W, 100 lm/W, 4000 K, (0.38, 0.38) SDCM <5, Wide beam, Polycarbonate, IP20/44 | Finger-protected; wire-protected, splash-proof, IK03 | 0.3 J, Safety class II, Cable 0.25 m with connector 3-pole, Push-in connector 3-pole

Warnings and Safety

- The luminaire should be installed and disassembled by a qualified electrician and wired in accordance with the latest IEE electrical regulations or the national requirements, as per the product mounting instructions.

Product data

General Information			
Light source replaceable	Yes	Saturated Red (R9)	<50
Number of gear units	1 unit	Correlated Color Temperature (Nom)	4000 K
Driver included	Yes	Luminous Efficacy (rated) (Nom)	100 lm/W
Lighting Technology	LED	Color rendering index (CRI)	>80
Value ladder	Performance	Beam angle of light source	120 degree(s)
Warranty period	5 years	Light source color	840 neutral white
		Optic type	Wide beam
		Luminaire light beam spread	38°
		Unified glare rating CEN	24
Light Technical			
Luminous Flux	1,200 lm		

CoreLine Recessed Spot gen2

Operating and Electrical	
Input Voltage	220 to 240 V
Line Frequency	50 or 60 Hz
Average CLO power consumption	- W
Inrush current	4.9 A
Inrush time	0.056 ms
Power Consumption	12 W
Power Factor (Fraction)	0.9
Connection	Push-in connector 3-pole
Cable	Cable 0.25 m with connector 3-pole
Number of products on MCB of 16 A type B	24
Suitable for random switching	No
Protection class IEC	Safety class II
Total harmonic distortion	20 %

Controls and Dimming	
Dimmable	Yes
Driver/power unit/transformer	Wireless driver Interact System ready external
Control interface	Wireless
Constant light output	No
Maximum dim level	10% (depends on dimmer, ELV)
Connectivity	Interact Ready

Mechanical and Housing	
Housing Material	Aluminum die-cast
Reflector material	-
Optic material	Polycarbonate
Optical cover material	Polycarbonate
Fixation material	Steel
Housing Color	White
Optical cover finish	-
Overall height	60 mm
Overall diameter	95 mm
Nominal Ceiling cut-out diameter	78 mm
Ingress protection code	IP20/44 [Finger-protected; wire-protected, splash-proof]
Mech. impact protection code	IK03 [0.3 J]
Mounting	Recessed
Net Weight (Piece)	0.400 kg

Approval and Application	
Glow-wire test	Temperature 650 °C, duration 30 s
Flammability mark	For mounting on normally flammable surfaces
CE mark	Yes
ENEC mark	ENEC mark
Photobiological risk	Photobiological risk group 1 @200mm to EN62778
Photobiological risk specification	0.2 m
EU RoHS compliant	Yes

Performance ambient temperature Tq	25 °C
Flickering value (PstLM) - Flickering value as per EN 61000-3-3	1
Stroboscopic effect visibility measure (SVM)	0.4
Ambient temperature range	0 to +35 °C

Initial Performance (IEC Compliant)	
Luminous flux tolerance	+/-10%
Initial chromaticity	(0.38, 0.38) SDCM <5
Power consumption tolerance	+/-10%
Standard Deviation of Colour Matching (McAdam ellipse)	SDCM≤5

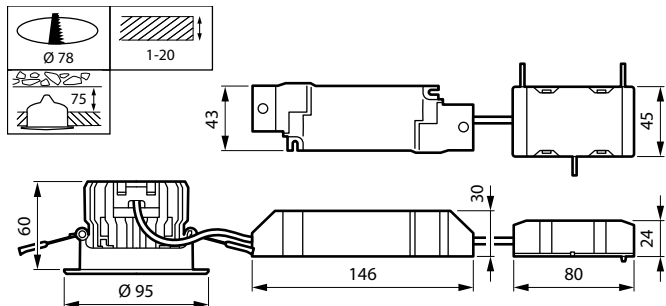
Over Time Performance (IEC Compliant)	
Control gear failure rate at median useful life 50000 h	5 %
Lumen maintenance (EN-IEC 62722-2-1) at median useful life* 50000 h	L70

Sustainability Data	
Repair class	Repair Class D, this product is not designed to be repaired.
Embedded carbon (A1-A3)	14.1 kg CO ₂ e
Product non-virgin material ratio	11 %
Recyclable content ratio of the finished product	55.3 %
GWP total B6 (kg CO ₂ eq) Declared Unit	Please calculate using your local energy mix value: Power Declared Unit (kW) * Service life (hrs) Declared Unit * Energy mix (kg CO ₂ eq / kWh)
GWP total B6 (kg CO ₂ eq) Functional Unit	Please calculate using your local energy mix value: Power Declared Unit (kW) * 1000 (lm) / lumen output (lm) Declared Unit * 35000 (hrs) * Energy mix (kg CO ₂ eq / kWh)
Non-virgin material ratio of the packaging	Cardboard > 80% recycled
Packaging Recyclable content ratio	Cardboard recycling rate > 80%
Packaging Material	Cardboard

Product Data	
Order product name	RS151B LED12-WB-/840 D78 WIA PI6 WH
Full product name	RS151B LED12-WB-/840 D78 WIA PI6 WH
Full product code	871951454823799
Order code	54823799
Material Nr. (12NC)	911401898682
Numerator - Quantity Per Pack	1
EAN/UPC - Product/Case	8719514548237
Numerator - Packs per outer box	18
EAN/UPC - Case	8719514548497

CoreLine Recessed Spot gen2

Dimensional drawing



Photometric data



Polar Normal (separate) - 911401898682

