



CoreLine Recessed Spot gen2

RS151B LED6-WB-/830 D78 PSR PI6 WH

CoreLine Recessed Spot gen2, Adjustable, 7.2 W, D78 mm, 650 lm, 3000 K, Phase-cut dim, Wide beam, White, IP20/44

CoreLine Recessed Spot gen2, Adjustable, D78 mm, Aluminium die-cast, White, Recessed, Power supply unit regulating, 650 lm, 7.2 W, 90 lm/W, 3000 K, (0.43, 0.40) SDCM <5, Wide beam, Polycarbonate, IP20/44 | Finger-protected; wire-protected, splash-proof, IK03 | 0.3 J, Safety class II, Cable 0.25 m with connector 3-pole, Push-in connector 3-pole

Warnings and Safety

- The luminaire should be installed and disassembled by a qualified electrician and wired in accordance with the latest IEE electrical regulations or the national requirements, as per the product mounting instructions.

Product data

General Information		Luminous efficacy (rated) (nom.)	
Light source replaceable	Yes		90 lm/W
Number of gear units	Unit	Colour rendering index (CRI)	>80
Driver included	Yes	Beam angle of light source	120 degree(s)
Lighting Technology	LED	Light source colour	830 warm white
Value ladder	Performance	Optic type	Wide beam
Warranty period	5 years	Luminaire light beam spread	38°
		Unified Glare Rating (CEN)	21
Light Technical		Operating and Electrical	
Luminous Flux	650 lm	Input Voltage	220 to 240 V
Saturated Red (R9)	<50	Line Frequency	50 or 60 Hz
Correlated Colour Temperature (Nom)	3000 K	Average CLO power consumption	- W

CoreLine Recessed Spot gen2

Inrush current	2.5 A
Inrush time	0.1 ms
Power Consumption	7.2 W
Power Factor (Fraction)	0.9
Connection	Push-in connector 3-pole
Cable	Cable 0.25 m with connector 3-pole
Number of products on MCB (16 A type B)	40
Suitable for random switching	No
Protection class IEC	Safety class II
Total harmonic distortion	45 %

Controls and Dimming

Dimmable	Yes
Driver/power unit/transformer	Power supply unit regulating
Control interface	Phase-cut dim
Constant light output	No
Maximum dim level	10% (depends on dimmer, ELV)

Mechanical and Housing

Housing material	Aluminium die-cast
Reflector material	-
Optic material	Polycarbonate
Optical cover/lens material	Polycarbonate
Fixation material	Steel
Housing Colour	White
Optical cover/lens finish	-
Overall height	60 mm
Overall diameter	95 mm
Ingress protection code	IP20/44 [Finger-protected; wire-protected, splash-proof]
Mech. impact protection code	IK03 [0.3 J]
Mounting	Recessed
Net Weight (Piece)	0.330 kg

Approval and Application

Glow-wire test	Temperature 650 °C, duration 30 s
Flammability mark	For mounting on normally flammable surfaces
CE mark	Yes
ENEC mark	ENEC mark
Photobiological risk	Photobiological risk group 1 @200mm to EN62778
Photobiological risk specification	0.2 m
EU RoHS compliant	Yes
Performance ambient temperature Tq	25 °C
Flickering value (PstLM)	1

Stroboscopic effect	0.4
Ambient temperature range	0 to +35 °C

Initial Performance (IEC Compliant)

Luminous flux tolerance	+/-10%
Initial chromaticity	(0.43, 0.40) SDCM <5
Power consumption tolerance	+/-10%
Standard Deviation of Colour Matching (McAdam ellipse)	SDCM≤5

Over Time Performance (IEC Compliant)

Control gear failure rate at median useful life 50,000 h	5 %
Lumen maintenance (EN-IEC 62722-2-1) at median useful life* 50000 h	L70

Sustainability Data

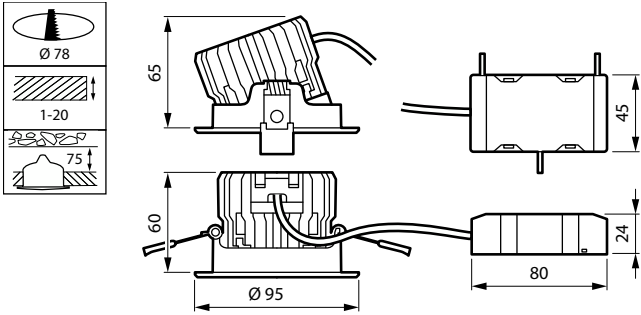
Repair class	Repair Class D, this product is not designed to be repaired.
Embedded carbon (A1-A3)	7 kg CO _{2e}
Product non-virgin material ratio	7.39 %
Recyclable the content ratio of the finished product	61.9 %
GWP total B6 (kg CO _{2eq}) Declared Unit	Please calculate using your local energy mix value: Power Declared Unit (kW) * Service life (hrs) Declared Unit * Energy mix (kg CO _{2eq} / kWh)
GWP total B6 (kg CO _{2eq}) Functional Unit	Please calculate using your local energy mix value: POWER DECLARED UNIT (kW) * 1000 (lm) / LUMEN OUTPUT DECLARED UNIT (lm) * 35000 (hrs) * ENERGY MIX (kg CO ₂ eq / kWh)

Product Data

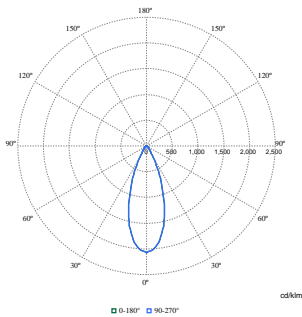
Order product name	RS151B LED6-WB-/830 D78 PSR PI6 WH
Full product name	RS151B LED6-WB-/830 D78 PSR PI6 WH
Full EOC	871951454811499
Order code	911401897482
Material no. (12 NC)	911401897482
Numerator – quantity per pack	1
EAN/UPC – Product/Case	8719514548114
Numerator – packs per outer box	18
EAN/UPC - Case	8719514548374

CoreLine Recessed Spot gen2

Dimensional drawing



Photometric data



Polar Normal (separate) - 911401897482

