



CoreLine SlimDownlight

DN145B LED20S/830_840 WIA WH

CoreLine SlimDownlight, All-in, 17.5 W, D205 mm, 2000 lm, 2100 lm, 3000 K, 4000 K, Wireless, Interact Ready, Textured, IP20/44, EL-ready

D205 mm, Aluminum die-cast, White, Signal white (RAL9003), Recessed, Wireless driver Interact System ready external, All-in, Multi Color Temperature, 2000 lm, 2100 lm, 17.5 W, 120 lm/W, 114 lm/W, 3000 K, 4000 K, (0.43,0.40) SDCM<3; (0.38,0.38) SDCM<3, Beam angle 90°, Symmetrical, Textured, Polycarbonate, IP20(IP44 front), IK03 | 0.3 J, Safety class II, Push-in connector 6-pole, Self-contained emergency lighting is possible when used with a compatible battery kit accessory

Product data

General Information		Optic type	
Number of gear units	1 unit	Beam angle	90° Symmetrical
Driver included	Yes	Luminaire light beam spread	90°
Mounting	Recessed	Unified glare rating CEN	28
Value ladder	Performance	All-in Type	All-in, Multi Color Temperature
Warranty period	5 years	Operating and Electrical	
Light Technical		Input Voltage	220 to 240 V
Luminous Flux	2,000 2,100 lm	Line Frequency	50 or 60 Hz
Correlated Color Temperature (Nom)	3000 4000 K	Inrush current	4.9 A
Luminous Efficacy (rated) (Nom)	120 114 lm/W	Inrush time	0.056 ms
Color rendering index (CRI)	>80	Power Consumption	17.5 W
Light source color	830 warm white, 840 neutral white	Power Factor (Fraction)	0.9
		Connection	Push-in connector 6-pole

CoreLine SlimDownlight

Cable	-
Number of products on MCB of 16 A type B	24
Suitable for random switching	No
Protection class IEC	Safety class II

Controls and Dimming

Dimmable	Yes
Driver/power unit/transformer	Wireless driver Interact System ready external
Control interface	Wireless
Constant light output	No
Connectivity	Interact Ready

Mechanical and Housing

Housing Material	Aluminum die-cast
Reflector material	Polycarbonate
Optic material	Polymethyl methacrylate
Optical cover material	Polycarbonate
Fixation material	-
Housing Color	White
Optical cover finish	Textured
Overall length	218 mm
Overall height	30 mm
Overall diameter	218 mm
Nominal Ceiling cut-out diameter	205 mm
Ingress protection code	IP20(IP44 front)
Mech. impact protection code	IK03 [0.3 J]
Mounting	Recessed
Net Weight (Piece)	0.510 kg

Emergency Operation

Central Emergency	No
Emergency lighting	Self-contained emergency lighting is possible when used with a compatible battery kit accessory

Approval and Application

Glow-wire test	Temperature 650 °C, duration 30 s
Flammability mark	For mounting on normally flammable surfaces

CE mark	Yes
ENEC mark	ENEC mark
EU RoHS compliant	Yes
Performance ambient temperature Tq	25 °C
Flickering value (PstLM) - Flickering value as per EN 61000-3-3	1
Stroboscopic effect visibility measure (SVM)	0.4
Ambient temperature range	-20 to +40 °C

Initial Performance (IEC Compliant)

Luminous flux tolerance	-10% / +10%
Initial chromaticity	(0.43,0.40) SDCM<3; (0.38,0.38) SDCM<3
Power consumption tolerance	+/-10%

Over Time Performance (IEC Compliant)

Control gear failure rate at median useful life 50000 h	5 %
Lumen maintenance (EN-IEC 62722-2-1) at median useful life* 50000 h	L80

Sustainability Data

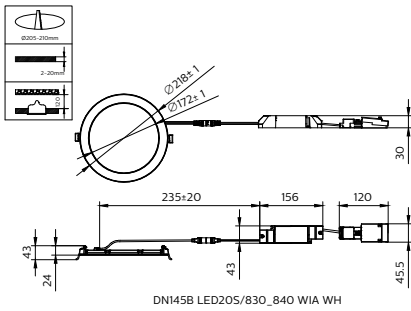
Sustainability rating	Unclassified
Repair class	Repair Class D, this product is not designed to be repaired.
Non-virgin material ratio of the packaging	Cardboard > 80% recycled
Packaging Recyclable content ratio	Cardboard recycling rate > 80%
Packaging Material	Cardboard

Product Data

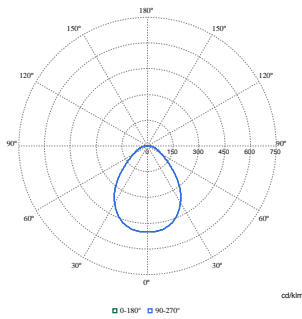
Order product name	DN145B LED20S/830_840 WIA WH
Full product name	DN145B LED20S/830_840 WIA WH
Full product code	872110331702599
Order code	911401894987
Material Nr. (12NC)	911401894987
Numerator - Quantity Per Pack	1
EAN/UPC - Product/Case	8721103317025
Numerator - Packs per outer box	20
EAN/UPC - Case	8721103317179

CoreLine SlimDownlight

Dimensional drawing



Photometric data



Polar Normal (separate) - 911401894987

