



# GreenSpace Surface-mounted

## SM291C LED10/840 PSU WH GM

GreenSpace Surface-mounted, 10 W, 1000 lm, 4000 K, High-gloss mirror, IP20 | Finger-protected

Philips GreenSpace Surface-mounted LED Downlight delivers a superior LED alternative that's up to 66% more energy efficient than the conventional downlight retrofits. Blending seamlessly into its environment, GreenSpace Surface-mounted LED Downlight mimics the form of conventional recessed downlights minus the associated high energy and maintenance costs. Philips GreenSpace Surface-mounted LED Downlight is also ideal for all commercial lighting applications as well as public indoor space where there is limited space in the ceiling.

### Product data

General Information		Beam angle of light source	
Light source replaceable	No		- degree(s)
Number of gear units	1 unit	Light source color	840 neutral white
Driver included	Yes	Optic type	High-gloss mirror
Light source engine type	LED	Luminaire light beam spread	90°
Service tag	Yes	Operating and Electrical	
Value ladder	Performance	Input Voltage	220 to 240 V
Warranty period	3 years	Line Frequency	50 or 60 Hz
Light Technical		Inrush current	11 A
Luminous Flux	1,000 lm	Inrush time	0.003 ms
Correlated Color Temperature (Nom)	4000 K	Power Consumption	10 W
Luminous Efficacy (rated) (Nom)	100 lm/W	Power Factor (Fraction)	0.9
Color rendering index (CRI)	>80	Connection	-
		Cable	-

## GreenSpace Surface-mounted

Number of products on MCB of 16 A type B	30
Suitable for random switching	No
Protection class IEC	Safety class I

### Controls and Dimming

Dimmable	No
Driver/power unit/transformer	Power supply unit (On/Off)
Control interface	-
Constant light output	No

### Mechanical and Housing

Housing Material	Aluminum die cast
Reflector material	Aluminum
Optic material	Aluminum
Optical cover material	-
Fixation material	-
Housing Color	White
Optical cover finish	-
Overall length	0 mm
Overall width	0 mm
Overall height	135 mm
Overall diameter	160 mm
Dimensions (Height x Width x Depth)	135 x 0 x 0 mm
Ingress protection code	IP20 [Finger-protected]
Mech. impact protection code	IK02 [0.2 J standard]
Optical cover type	Reflector
Net Weight (Piece)	0.600 kg

### Approval and Application

Glow-wire test	Temperature 750 °C, duration 5 s
----------------	----------------------------------

Flammability mark	-
CE mark	Yes
ENEC mark	-
EU RoHS compliant	No
Ambient temperature range	-20 to +40 °C

### Initial Performance (IEC Compliant)

Luminous flux tolerance	+/-10%
Initial chromaticity	(0.38, 0.38) SDCM <5
Power consumption tolerance	+/-10%

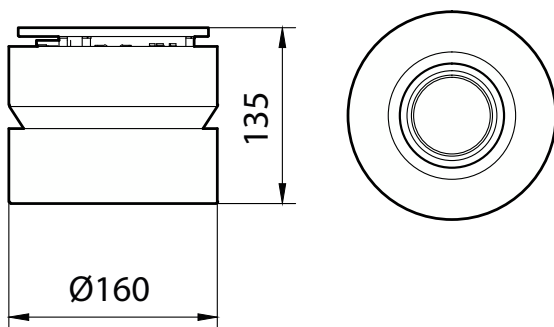
### Over Time Performance (IEC Compliant)

Driver failure rate at 5000 h	1.00 %
Median useful life L70B50	50,000 hour(s)
Median useful life L80B50	40,000 hour(s)
Median useful life L90B50	20,000 hour(s)

### Product Data

Order product name	SM291C LED10/840 PSU WH GM
Full product name	SM291C LED10/840 PSU WH GM
Full product code	872016972365800
Order code	911401847299
Material Nr. (12NC)	911401847299
Numerator - Quantity Per Pack	1
EAN/UPC - Product/Case	8720169723658
Numerator - Packs per outer box	1
EAN/UPC - Case	8720169723658

## Dimensional drawing



## GreenSpace Surface-mounted

