



GreenSpace Surface-mounted

SM291C LED10/830 PSU WH GM

GreenSpace Surface-mounted, 10 W, 1000 lm, 3000 K, High-gloss mirror, IP20 | Finger-protected

Philips GreenSpace Surface-mounted LED Downlight delivers a superior LED alternative that's up to 66% more energy efficient than the conventional downlight retrofits. Blending seamlessly into its environment, GreenSpace Surface-mounted LED Downlight mimics the form of conventional recessed downlights minus the associated high energy and maintenance costs. Philips GreenSpace Surface-mounted LED Downlight is also ideal for all commercial lighting applications as well as public indoor space where there is limited space in the ceiling.

Product data

General Information		Beam angle of light source	
Light source replaceable	No		- degree(s)
Number of gear units	1 unit	Light source color	830 warm white
Driver included	Yes	Optic type	High-gloss mirror
Light source engine type	LED	Luminaire light beam spread	90°
Service tag	Yes	Operating and Electrical	
Value ladder	Performance	Input Voltage	220 to 240 V
Warranty period	3 years	Line Frequency	50 or 60 Hz
Light Technical		Inrush current	11 A
Luminous Flux	1,000 lm	Inrush time	0.003 ms
Correlated Color Temperature (Nom)	3000 K	Power Consumption	10 W
Luminous Efficacy (rated) (Nom)	100 lm/W	Power Factor (Fraction)	0.9
Color rendering index (CRI)	>80	Connection	-
		Cable	-

GreenSpace Surface-mounted

Number of products on MCB of 16 A type B	30
Suitable for random switching	No
Protection class IEC	Safety class I

Controls and Dimming

Dimmable	No
Driver/power unit/transformer	Power supply unit (On/Off)
Control interface	-
Constant light output	No

Mechanical and Housing

Housing Material	Aluminum die cast
Reflector material	Aluminum
Optic material	Aluminum
Optical cover material	-
Fixation material	-
Housing Color	White
Optical cover finish	-
Overall length	0 mm
Overall width	0 mm
Overall height	135 mm
Overall diameter	160 mm
Dimensions (Height x Width x Depth)	135 x 0 x 0 mm
Ingress protection code	IP20 [Finger-protected]
Mech. impact protection code	IK02 [0.2 J standard]
Optical cover type	Reflector
Net Weight (Piece)	0.600 kg

Approval and Application

Glow-wire test	Temperature 750 °C, duration 5 s
----------------	----------------------------------

Flammability mark	-
CE mark	Yes
ENEC mark	-
EU RoHS compliant	No
Ambient temperature range	-20 to +40 °C

Initial Performance (IEC Compliant)

Luminous flux tolerance	+/-10%
Initial chromaticity	(0.44, 0.40) SDCM <5
Power consumption tolerance	+/-10%

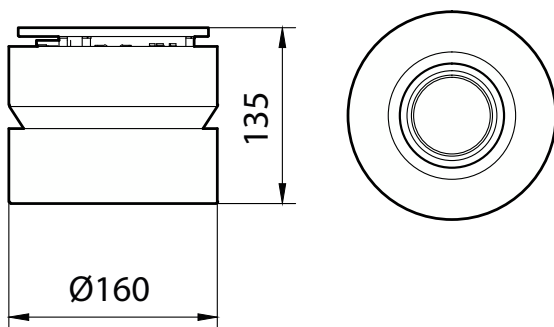
Over Time Performance (IEC Compliant)

Driver failure rate at 5000 h	1.00 %
Median useful life L70B50	50,000 hour(s)
Median useful life L80B50	40,000 hour(s)
Median useful life L90B50	20,000 hour(s)

Product Data

Order product name	SM291C LED10/830 PSU WH GM
Full product name	SM291C LED10/830 PSU WH GM
Full product code	872016972370200
Order code	911401847199
Material Nr. (12NC)	911401847199
Numerator - Quantity Per Pack	1
EAN/UPC - Product/Case	8720169723702
Numerator - Packs per outer box	1
EAN/UPC - Case	8720169723702

Dimensional drawing



GreenSpace Surface-mounted

