



CoreLine surface mounted gen 4

SM136V G4 43S/840 WIA W20L120 OC

CoreLine surface mounted gen 4, 27.5 W, 200x1200 mm, 4300 lm, 4000 K, Wireless, Interact Ready, UGR19

Introducing Philips CoreLine surface-mounted gen4, a family of high-quality and innovative light fixtures designed to deliver energy-efficient and long-lasting illumination for your home or office. With higher lumen packages up to 6800 lm, improved efficiency of up to 160 lm/W, and a longer lifetime of L90@50K hrs/ L80@100K hrs, our CoreLine family provides bright and long-lasting illumination. Our surface-mounted light fixtures feature DC plugs in all versions, packaging from a single box to 4-in-1, and plastics-free packaging, making them eco-friendly and cost-effective. Our CoreLine surface-mounted gen4 features the same green quick connectors as the CoreLine panel, and is compatible with Wieland GSTi3 and GST/5 connectors. Upgrade your lighting today with Philips CoreLine surface-mounted gen4, a high-quality and innovative solution that delivers on the Philips promise of energy-efficient and long-lasting illumination.

Product data

General Information		Luminous Efficacy (rated) (Nom)	
Number of gear units	1 unit	Luminous Efficacy (rated) (Nom)	156 lm/W
Driver included	Yes	Color rendering index (CRI)	>80
Value ladder	Performance	Light source color	840 neutral white
Warranty period	5 years	Optic type	Wide beam office compliant
Light Technical		Luminaire light beam spread	80°
Luminous Flux	4,300 lm	Unified glare rating CEN	19
Correlated Color Temperature (Nom)	4000 K	Operating and Electrical	
		Input Voltage	220-240 V

CoreLine surface mounted gen 4

Line Frequency	50 or 60 Hz
Inrush current	4.9 A
Inrush time	0.056 ms
Power Consumption	27.5 W
Power Factor (Fraction)	0.9
Connection	Push-in connector 3-pole
Cable	Cable with connector 3-pole
Number of products on MCB of 16 A type B	24
Suitable for random switching	No
Protection class IEC	Safety class II

Controls and Dimming

Dimmable	Yes
Driver/power unit/transformer	Wireless driver Interact System ready
Control interface	Wireless
Constant light output	No
Connectivity	Interact Ready

Mechanical and Housing

Housing Material	Steel
Reflector material	Steel
Optic material	Polycarbonate
Optical cover material	Polycarbonate
Fixation material	-
Housing Color	White
Optical cover finish	Microprismatic lens
Overall length	1,200 mm
Overall width	200 mm
Overall height	53 mm
Dimensions (Height x Width x Depth)	53 x 200 x 1200 mm
Ingress protection code	IP20/44 [Finger-protected; wire-protected, splash-proof]
Mech. impact protection code	IK03 [0.35 J reinforced]
Mounting	Surface
Net Weight (Piece)	3.590 kg

Approval and Application

Glow-wire test	Temperature 650 °C, duration 30 s
Flammability mark	For mounting on normally flammable surfaces
CE mark	Yes
ENEC mark	ENEC mark
Photobiological risk	Photobiological risk group 0 @200mm to EN62778
EU RoHS compliant	Yes

Performance ambient temperature Tq	25 °C
Ambient temperature range	-10 to +40 °C

Initial Performance (IEC Compliant)

Luminous flux tolerance	+/-10%
Initial chromaticity	(0.38.0.38)SDCM<3
Power consumption tolerance	+/-10%

Over Time Performance (IEC Compliant)

Control gear failure rate at median useful life 50000 h	5 %
Lumen maintenance (EN-IEC 62722-2-1) at median useful life* 50000 h	L90
Lumen maintenance (EN-IEC 62722-2-1) at median useful life* 100000 h	L80

Sustainability Data

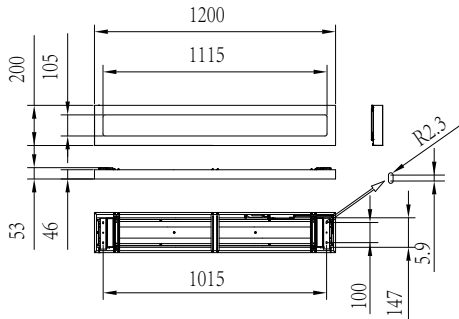
Sustainability rating	Unclassified
Repair class	Repair Class D, this product is not designed to be repaired.
Embedded carbon (A1-A3)	30.4 kg CO _{2e}
Product non-virgin material ratio	24.5 %
Recyclable content ratio of the finished product	71.2 %
GWP total B6 (kg CO _{2eq}) Declared Unit	Please calculate using your local energy mix value: Power Declared Unit (kW) * Service life (hrs) Declared Unit * Energy mix (kg CO _{2eq} / kWh)
GWP total B6 (kg CO _{2eq}) Functional Unit	Please calculate using your local energy mix value: Power Declared Unit (kW) * 1000 (lm) / lumen output (lm) Declared Unit * 35000 (hrs) * Energy mix (kg CO ₂ eq / kWh)

Product Data

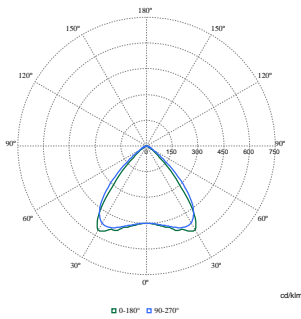
Order product name	SM136V G4 43S/840 WIA W20L120 OC
Full product name	SM136V G4 43S/840 WIA W20L120 OC
Full product code	872016976426299
Order code	911401842187
Material Nr. (12NC)	911401842187
Numerator - Quantity Per Pack	1
EAN/UPC - Product/Case	8720169764262
Numerator - Packs per outer box	4
EAN/UPC - Case	8720169764545

CoreLine surface mounted gen 4

Dimensional drawing



Photometric data



Polar Normal (separate) - 911401842187

