



CoreLine surface mounted gen 4

SM136V G4 36_45_60S/840 PSU W20L120 OC

CoreLine surface mounted gen 4, All-in, 38.5 W, 23 W, 200x1200 mm, 3600 lm, 4500 lm, 6000 lm, 4000 K, UGR19

200x1200 mm, Steel, White, Signal white (RAL9003), Surface, Power supply unit (On/Off), All-in, Multi Lumen, 3600 lm, 4500 lm, 6000 lm, 38.5 W, 23 W, 157 lm/W, 155 lm/W, 4000 K, (0.38.0.38)SDCM<3, UGR19, Wide beam office compliant, Microprismatic lens, Polycarbonate, IP20/44 | Finger-protected; wire-protected, splash-proof, IK03 | 0.35 J reinforced, Safety class II, Cable with connector 3-pole, Push-in connector 3-pole

Product data

General Information		All-in Type	
Number of gear units	1 unit		All-in, Multi Lumen
Driver included	Yes	Operating and Electrical	
Value ladder	Performance	Input Voltage	220-240 V
Warranty period	5 years	Line Frequency	50 or 60 Hz
Light Technical		Inrush current	25 A
Luminous Flux	3,600 4,500 6,000 lm	Inrush time	0.15 ms
Correlated Color Temperature (Nom)	4000 K	Power Consumption	38.5 23 W
Luminous Efficacy (rated) (Nom)	157 155 lm/W	Power Factor (Fraction)	0.9
Color rendering index (CRI)	>80	Connection	Push-in connector 3-pole
Light source color	840 neutral white	Cable	Cable with connector 3-pole
Optic type	Wide beam office compliant	Number of products on MCB of 16 A type	38
Luminaire light beam spread	80°	B	
Unified glare rating CEN	19	Suitable for random switching	No

CoreLine surface mounted gen 4

Protection class IEC	Safety class II
----------------------	-----------------

Controls and Dimming

Dimmable	No
Driver/power unit/transformer	Power supply unit (On/Off)
Constant light output	No

Mechanical and Housing

Housing Material	Steel
Reflector material	Steel
Optic material	Polycarbonate
Optical cover material	Polycarbonate
Fixation material	-
Housing Color	White
Optical cover finish	Microprismatic lens
Overall length	1,200 mm
Overall width	200 mm
Overall height	53 mm
Dimensions (Height x Width x Depth)	53 x 200 x 1200 mm
Ingress protection code	IP20/44 [Finger-protected; wire-protected, splash-proof]
Mech. impact protection code	IK03 [0.35 J reinforced]
Mounting	Surface
Net Weight (Piece)	3.590 kg

Approval and Application

Glow-wire test	Temperature 650 °C, duration 30 s
Flammability mark	For mounting on normally flammable surfaces
CE mark	Yes
ENEC mark	ENEC mark
Photobiological risk	Photobiological risk group 0 @200mm to EN62778
EU RoHS compliant	Yes
Performance ambient temperature Tq	25 °C
Ambient temperature range	-10 to +40 °C

Initial Performance (IEC Compliant)

Luminous flux tolerance	+/-10%
Initial chromaticity	(0.38.0.38)SDCM<3
Power consumption tolerance	+/-10%

Over Time Performance (IEC Compliant)

Control gear failure rate at median useful life 50000 h	5 %
Lumen maintenance (EN-IEC 62722-2-1) at median useful life* 50000 h	L90
Lumen maintenance (EN-IEC 62722-2-1) at median useful life* 100000 h	L80

Sustainability Data

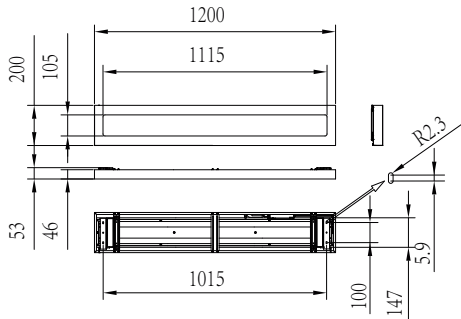
Sustainability rating	Unclassified
Repair class	Repair Class D, this product is not designed to be repaired.
Embedded carbon (A1-A3)	30.4 kg CO ₂ e
Product non-virgin material ratio	24.5 %
Recyclable content ratio of the finished product	71.2 %
GWP total B6 (kg CO ₂ eq) Declared Unit	Please calculate using your local energy mix value: Power Declared Unit (kW) * Service life (hrs) Declared Unit * Energy mix (kg CO ₂ eq / kwh)
GWP total B6 (kg CO ₂ eq) Functional Unit	Please calculate using your local energy mix value: Power Declared Unit (kW) * 1000 (lm) /Lumen output (lm) Declared Unit * 35000 (hrs) * Energy mix (kg CO ₂ eq / kwh)

Product Data

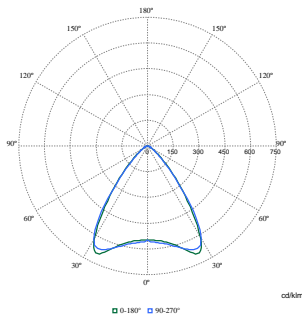
Order product name	SM136V G4 36_45_60S/840 PSU W20L120 OC
Full product name	SM136V G4 36_45_60S/840 PSU W20L120 OC
Full product code	872016976422499
Order code	76422499
Material Nr. (12NC)	911401841787
Numerator - Quantity Per Pack	1
EAN/UPC - Product/Case	8720169764224
Numerator - Packs per outer box	4
EAN/UPC - Case	8720169764507

CoreLine surface mounted gen 4

Dimensional drawing



Photometric data



Polar Normal (separate) - 911401841787

