



CoreLine recessed gen 4

RC136B G4 43S/840 WIA W30L120 OC

CoreLine recessed gen 4, 27.5 W, 300x1200 mm, VPC, 4300 lm, 4000 K, Wireless, Interact Ready, UGR19, EL-ready

Introducing Philips CoreLine recessed gen4 – a sleek, modern and energy-efficient lighting solution for offices, education, and healthcare. With higher lumen packages up to 6800 lm, improved efficiency and lifetime, and easy installation with quick connectors or Wieland connectors, Philips Coreline recessed gen4 delivers on the Philips promise of innovative, easy-to-use, high-quality luminaires. Our state-of-the-art LED technology ensures that CoreLine recessed lighting is both eco-friendly and cost-effective, saving you money on your energy bills and helping to reduce your carbon footprint. Upgrade your office, education, or healthcare lighting with CoreLine recessed today and enjoy bright and long-lasting illumination that blends seamlessly with any interior décor.

Product data

General Information	
Number of gear units	1 unit
Driver included	Yes
Value ladder	Performance
Warranty period	5 years

Light Technical	
Luminous Flux	4,300 lm
Correlated Color Temperature (Nom)	4000 K
Luminous Efficacy (rated) (Nom)	156 lm/W
Color rendering index (CRI)	>80

Light source color	840 neutral white
Optic type	Wide beam office compliant
Luminaire light beam spread	80°
Unified glare rating CEN	19

Operating and Electrical	
Input Voltage	220-240 V
Line Frequency	50 or 60 Hz
Inrush current	4.9 A
Inrush time	0.056 ms
Power Consumption	27.5 W

CoreLine recessed gen 4

Power Factor (Fraction)	0.9
Connection	Push-in connector 2-pole
Cable	Cable with connector 3-pole
Number of products on MCB of 16 A type B	24
Suitable for random switching	No
Protection class IEC	Safety class II

Controls and Dimming

Dimmable	Yes
Driver/power unit/transformer	Wireless driver Interact System ready
Control interface	Wireless
Constant light output	No
Connectivity	Interact Ready

Mechanical and Housing

Housing Material	Steel
Reflector material	Steel
Optic material	Polycarbonate
Optical cover material	Polycarbonate
Fixation material	-
Housing Color	White
Optical cover finish	Microprismatic lens
Overall length	1,195 mm
Overall width	295 mm
Overall height	38.5 mm
Dimensions (Height x Width x Depth)	39 x 295 x 1195 mm
Compatible ceiling or ceiling installation accessory type	Visible profile ceiling version
Ingress protection code	IP20/44 [Finger-protected; wire-protected, splash-proof]
Mech. impact protection code	IK03 [0.35 J reinforced]
Safety device	SC [Safety cable]
Net Weight (Piece)	2.950 kg

Emergency Operation

Emergency flux	380 lm
Central Emergency	No
Emergency lighting	Self-contained emergency lighting is possible when used with a compatible battery kit accessory

Approval and Application

Glow-wire test	Temperature 650 °C, duration 30 s
Flammability mark	For mounting on normally flammable surfaces
CE mark	Yes
ENEC mark	ENEC mark

Photobiological risk	Photobiological risk group 0 @200mm to EN62778
EU RoHS compliant	Yes
Performance ambient temperature Tq	25 °C
Ambient temperature range	-10 to +40 °C

Initial Performance (IEC Compliant)

Luminous flux tolerance	+/-10%
Initial chromaticity	(0.38.0.38)SDCM<3
Power consumption tolerance	+/-10%

Over Time Performance (IEC Compliant)

Control gear failure rate at median useful life 50000 h	5 %
Lumen maintenance (EN-IEC 62722-2-1) at median useful life* 50000 h	L90
Lumen maintenance (EN-IEC 62722-2-1) at median useful life* 100000 h	L80

Sustainability Data

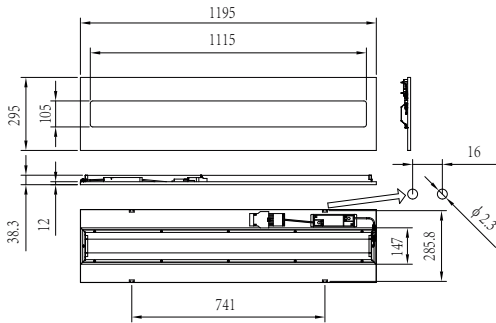
Sustainability rating	Unclassified
Serviceability class	Class C, luminaire without serviceable parts, not serviceable
Embedded carbon (A1-A3)	29.3 kg CO ₂ e
Product non-virgin material ratio	21.9 %
Recyclable content ratio of the finished product	68.1 %
GWP total B6 (kg CO ₂ eq) Declared Unit	Please calculate using your local energy mix value: Power Declared Unit (kW) * Service life (hrs) Declared Unit * Energy mix (kg CO ₂ eq / kWh)
GWP total B6 (kg CO ₂ eq) Functional Unit	Please calculate using your local energy mix value: Power Declared Unit (kW) * 1000 (lm) / lumen output (lm) Declared Unit * 35000 (hrs) * Energy mix (kg CO ₂ eq / kWh)

Product Data

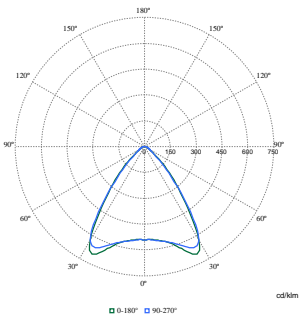
Order product name	RC136B G4 43S/840 WIA W30L120 OC
Full product name	RC136B G4 43S/840 WIA W30L120 OC
Full product code	872016976418799
Order code	911401841387
Material Nr. (12NC)	911401841387
Numerator - Quantity Per Pack	1
EAN/UPC - Product/Case	8720169764187
Numerator - Packs per outer box	4
EAN/UPC - Case	8720169764460

CoreLine recessed gen 4

Dimensional drawing



Photometric data



Polar Normal (separate) - null - 911401841387

