



CoreLine recessed gen 4

RC136B G4 40S/830 WIA W60L60 OC

CoreLine recessed gen 4, 27.5 W, 600x600 mm, VPC, 4000 lm, 3000 K, Wireless, Interact Ready, UGR19, EL-ready

600x600 mm, Visible profile ceiling version, Steel, White, Signal white (RAL9003), Wireless driver Interact System ready, 4000 lm, 27.5 W, 145 lm/W, 3000 K, (0.44,0.40)SDCM<3, UGR19, Wide beam office compliant, Microprismatic lens, Polycarbonate, IP20/44 | Finger-protected; wire-protected, splash-proof, IK03 | 0.35 J reinforced, Safety class II, Cable with connector 3-pole, Push-in connector 2-pole, SC | Safety cable, Self-contained emergency lighting is possible when used with a compatible battery kit accessory

Product data

| General Information | |
|------------------------------------|----------------------------|
| Number of gear units | 1 unit |
| Driver included | Yes |
| Value ladder | Performance |
| Warranty period | 5 years |
| Light Technical | |
| Luminous Flux | 4,000 lm |
| Correlated Color Temperature (Nom) | 3000 K |
| Luminous Efficacy (rated) (Nom) | 145 lm/W |
| Color rendering index (CRI) | >80 |
| Light source color | 830 warm white |
| Optic type | Wide beam office compliant |
| Luminaire light beam spread | 80° |

| Unified glare rating CEN | 19 |
|--|-----------------------------|
| Operating and Electrical | |
| Input Voltage | 220-240 V |
| Line Frequency | 50 or 60 Hz |
| Inrush current | 4.9 A |
| Inrush time | 0.056 ms |
| Power Consumption | 27.5 W |
| Power Factor (Fraction) | 0.9 |
| Connection | Push-in connector 2-pole |
| Cable | Cable with connector 3-pole |
| Number of products on MCB of 16 A type B | 24 |
| Suitable for random switching | No |

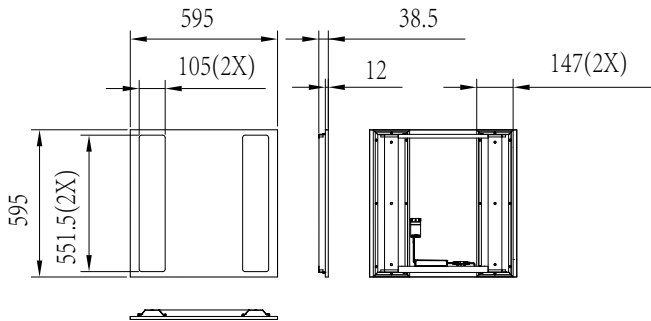
CoreLine recessed gen 4

| | |
|---|---|
| Protection class IEC | Safety class II |
| Controls and Dimming | |
| Dimmable | Yes |
| Driver/power unit/transformer | Wireless driver Interact System ready |
| Control interface | Wireless |
| Constant light output | No |
| Connectivity | Interact Ready |
| Mechanical and Housing | |
| Housing Material | Steel |
| Reflector material | Steel |
| Optic material | Polycarbonate |
| Optical cover material | Polycarbonate |
| Fixation material | - |
| Housing Color | White |
| Optical cover finish | Microprismatic lens |
| Overall length | 595 mm |
| Overall width | 595 mm |
| Overall height | 38.5 mm |
| Dimensions (Height x Width x Depth) | 39 x 595 x 595 mm |
| Compatible ceiling or ceiling installation accessory type | Visible profile ceiling version |
| Ingress protection code | IP20/44 [Finger-protected; wire-protected, splash-proof] |
| Mech. impact protection code | IK03 [0.35 J reinforced] |
| Safety device | SC [Safety cable] |
| Net Weight (Piece) | 3.140 kg |
| Emergency Operation | |
| Emergency flux | 380 lm |
| Central Emergency | No |
| Emergency lighting | Self-contained emergency lighting is possible when used with a compatible battery kit accessory |
| Approval and Application | |
| Glow-wire test | Temperature 650 °C, duration 30 s |
| Flammability mark | For mounting on normally flammable surfaces |
| CE mark | Yes |
| ENEC mark | ENEC mark |
| Photobiological risk | Photobiological risk group 0 @200mm to EN62778 |
| EU RoHS compliant | Yes |
| Performance ambient temperature Tq | 25 °C |
| Ambient temperature range | -10 to +40 °C |

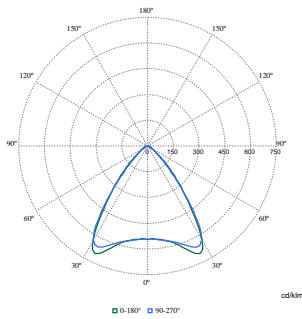
| | |
|--|--|
| Initial Performance (IEC Compliant) | |
| Luminous flux tolerance | +/-10% |
| Initial chromaticity | (0.44,0.40)SDCM<3 |
| Power consumption tolerance | +/-10% |
| Over Time Performance (IEC Compliant) | |
| Control gear failure rate at median useful life 50000 h | 5 % |
| Lumen maintenance (EN-IEC 62722-2-1) at median useful life* 50000 h | L90 |
| Lumen maintenance (EN-IEC 62722-2-1) at median useful life* 100000 h | L80 |
| Sustainability Data | |
| Sustainability rating | Unclassified |
| Repair class | Repair Class D, this product is not designed to be repaired. |
| Embedded carbon (A1-A3) | 29.4 kg CO _{2e} |
| Product non-virgin material ratio | 24 % |
| Recyclable content ratio of the finished product | 69 % |
| GWP total B6 (kg CO _{2eq}) Declared Unit | Please calculate using your local energy mix value: Power Declared Unit (kW) * Service life (hrs) Declared Unit * Energy mix (kg CO _{2eq} / kWh) |
| GWP total B6 (kg CO _{2eq}) Functional Unit | Please calculate using your local energy mix value: Power Declared Unit (kW) * 1000 (lm) / lumen output (lm) Declared Unit * 35000 (hrs) * Energy mix (kg CO _{2eq} / kWh) |
| Non-virgin material ratio of the packaging | Cardboard > 80% recycled |
| Packaging Recyclable content ratio | Cardboard recycling rate > 80% |
| Packaging Material | Cardboard |
| Product Data | |
| Order product name | RC136B G4 40S/830 WIA W60L60 OC |
| Full product name | RC136B G4 40S/830 WIA W60L60 OC |
| Full product code | 872016976417099 |
| Order code | 911401841287 |
| Material Nr. (12NC) | 911401841287 |
| Numerator - Quantity Per Pack | 1 |
| EAN/UPC - Product/Case | 8720169764170 |
| Numerator - Packs per outer box | 4 |
| EAN/UPC - Case | 8720169764453 |

CoreLine recessed gen 4

Dimensional drawing



Photometric data



Polar Normal (separate) - 911401841287

