



# CoreLine recessed gen 4

## RC136B G4 36\_45\_60S/840 PSD W60L60 OC

CoreLine recessed gen 4, All-in, 38.5 W, 23 W, 600x600 mm, VPC, 3600 lm, 4500 lm, 6000 lm, 4000 K, DALI, UGR19, EL-ready

600x600 mm, Visible profile ceiling version, Steel, White, Signal white (RAL9003), Power supply unit with DALI interface, All-in, Multi Lumen, 3600 lm, 4500 lm, 6000 lm, 38.5 W, 23 W, 157 lm/W, 155 lm/W, 4000 K, (0.38.0.38)SDCM<3, UGR19, Wide beam office compliant, Microprismatic lens, Polycarbonate, IP20/44 | Finger-protected; wire-protected, splash-proof, IK03 | 0.35 J reinforced, Safety class II, Cable without plug 5-pole, Push-in connector 4-pole, SC | Safety cable, Self-contained emergency lighting is possible when used with a compatible battery kit accessory

### Product data

| General Information                |                      |
|------------------------------------|----------------------|
| Number of gear units               | 1 unit               |
| Driver included                    | Yes                  |
| Value ladder                       | Performance          |
| Warranty period                    | 5 years              |
| Light Technical                    |                      |
| Luminous Flux                      | 3,600 4,500 6,000 lm |
| Correlated Color Temperature (Nom) | 4000 K               |
| Luminous Efficacy (rated) (Nom)    | 157 155 lm/W         |
| Color rendering index (CRI)        | >80                  |

| Light source color          | 840 neutral white          |
|-----------------------------|----------------------------|
| Optic type                  | Wide beam office compliant |
| Luminaire light beam spread | 80°                        |
| Unified glare rating CEN    | 19                         |
| All-in Type                 | All-in, Multi Lumen        |
| Operating and Electrical    |                            |
| Input Voltage               | 220-240 V                  |
| Line Frequency              | 50 or 60 Hz                |
| Inrush current              | 5.33 A                     |
| Inrush time                 | 0.04 ms                    |

## CoreLine recessed gen 4

|  |                           |
|--|---------------------------|
| Power Consumption                        | 38.5 23 W                 |
| Power Factor (Fraction)                  | 0.9                       |
| Connection                               | Push-in connector 4-pole  |
| Cable                                    | Cable without plug 5-pole |
| Number of products on MCB of 16 A type B | 73                        |
| Suitable for random switching            | No                        |
| Protection class IEC                     | Safety class II           |

### Controls and Dimming

|                               |                                       |
|-------------------------------|---------------------------------------|
| Dimmable                      | Yes                                   |
| Driver/power unit/transformer | Power supply unit with DALI interface |
| Control interface             | DALI                                  |
| Constant light output         | No                                    |
| DALI Standard                 | DALI-2™                               |

### Mechanical and Housing

|   |  |
|---|--|
| Housing Material  | Steel  |
| Reflector material  | Steel  |
| Optic material  | Polycarbonate  |
| Optical cover material                                    | Polycarbonate  |
| Fixation material   | -  |
| Housing Color   | White  |
| Optical cover finish                                      | Microprismatic lens                                      |
| Overall length  | 595 mm   |
| Overall width   | 595 mm   |
| Overall height  | 38.5 mm  |
| Dimensions (Height x Width x Depth)                       | 39 x 595 x 595 mm  |
| Compatible ceiling or ceiling installation accessory type | Visible profile ceiling version                          |
| Ingress protection code                                   | IP20/44 [Finger-protected; wire-protected, splash-proof] |
| Mech. impact protection code                              | IK03 [0.35 J reinforced]                                 |
| Safety device   | SC [Safety cable]  |
| Net Weight (Piece)  | 3.140 kg   |

### Emergency Operation

|                    |   |
|--------------------|---|
| Emergency flux     | 380 lm  |
| Central Emergency  | No  |
| Emergency lighting | Self-contained emergency lighting is possible when used with a compatible battery kit accessory |

### Approval and Application

|                      |  |
|----------------------|--|
| Glow-wire test       | Temperature 650 °C, duration 30 s              |
| Flammability mark    | For mounting on normally flammable surfaces    |
| CE mark              | Yes  |
| ENEC mark            | ENEC mark                                      |
| Photobiological risk | Photobiological risk group 0 @200mm to EN62778 |
| EU RoHS compliant    | Yes  |

|                                    |               |
|------------------------------------|---------------|
| Performance ambient temperature Tq | 25 °C         |
| Ambient temperature range          | -10 to +40 °C |

### Initial Performance (IEC Compliant)

|                             |                   |
|-----------------------------|-------------------|
| Luminous flux tolerance     | +/-10%            |
| Initial chromaticity        | (0.38.0.38)SDCM<3 |
| Power consumption tolerance | +/-10%            |

### Over Time Performance (IEC Compliant)

|  |     |
|--|-----|
| Control gear failure rate at median useful life 50000 h              | 5 % |
| Lumen maintenance (EN-IEC 62722-2-1) at median useful life* 50000 h  | L90 |
| Lumen maintenance (EN-IEC 62722-2-1) at median useful life* 100000 h | L80 |

### Sustainability Data

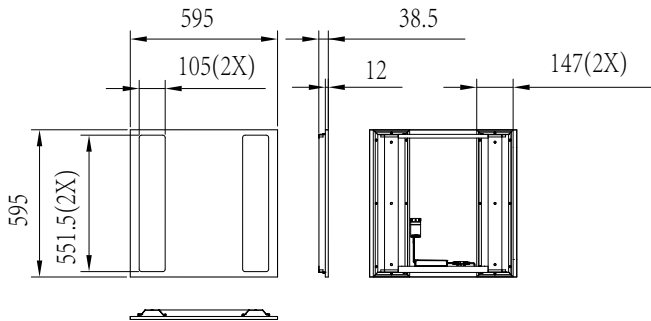
|  |   |
|--|---|
| Sustainability rating                                | Unclassified  |
| Repair class   | Repair Class D, this product is not designed to be repaired.  |
| Embedded carbon (A1-A3)                              | 29.4 kg CO <sub>2e</sub>  |
| Product non-virgin material ratio                    | 24 %  |
| Recyclable content ratio of the finished product     | 69 %  |
| GWP total B6 (kg CO <sub>2eq</sub> ) Declared Unit   | Please calculate using your local energy mix value: Power Declared Unit (kW) * Service life (hrs) Declared Unit * Energy mix (kg CO <sub>2eq</sub> / kWh)                           |
| GWP total B6 (kg CO <sub>2eq</sub> ) Functional Unit | Please calculate using your local energy mix value: Power Declared Unit (kW) * 1000 (lm) / lumen output (lm) Declared Unit * 35000 (hrs) * Energy mix (kg CO <sub>2</sub> eq / kWh) |
| Non-virgin material ratio of the packaging           | Cardboard > 80% recycled  |
| Packaging Recyclable content ratio                   | Cardboard recycling rate > 80%  |
| Packaging Material                                   | Cardboard   |

### Product Data

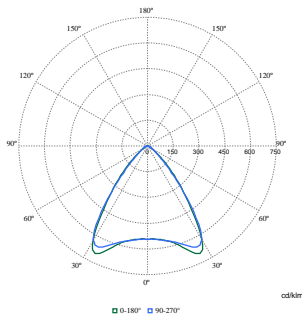
|                                 |                                       |
|---------------------------------|---------------------------------------|
| Order product name              | RC136B G4 36_45_60S/840 PSD W60L60 OC |
| Full product name               | RC136B G4 36_45_60S/840 PSD W60L60 OC |
| Full product code               | 872016976414999                       |
| Order code                      | 911401840987                          |
| Material Nr. (12NC)             | 911401840987                          |
| Numerator - Quantity Per Pack   | 1                                     |
| EAN/UPC - Product/Case          | 8720169764149                         |
| Numerator - Packs per outer box | 4                                     |
| EAN/UPC - Case                  | 8720169764422                         |

# CoreLine recessed gen 4

## Dimensional drawing



## Photometric data



Polar Normal (separate) - 911401840987

