



CoreLine recessed gen 4

RC136B G4 36_45_60S/840 PSD W30L120 OC

CoreLine recessed gen 4, All-in, 38.5 W, 23 W, 300x1200 mm, VPC, 3600 lm, 4500 lm, 6000 lm, 4000 K, DALI, UGR19, EL-ready

Introducing Philips CoreLine recessed gen4 – a sleek, modern and energy-efficient lighting solution for offices, education and healthcare. With higher lumen packages up to 6800 lm, improved efficiency and lifetime and easy installation with quick connectors or Wieland connectors, Philips Coreline recessed gen4 delivers on the Philips promise of innovative, easy-to-use, high-quality luminaires. Our state-of-the-art LED technology ensures that CoreLine recessed lighting is both eco-friendly and cost-effective, saving you money on your energy bills and helping to reduce your carbon footprint. Upgrade your office, education or healthcare lighting with CoreLine recessed today and enjoy bright and long-lasting illumination that blends seamlessly with any interior décor.

Product data

General Information	
Number of gear units	Unit
Driver included	Yes
Value ladder	Performance
Serviceability class	Class C, luminaire without serviceable parts, not serviceable
Warranty period	5 years
Sustainability rating	Unclassified

Light Technical	
Luminous Flux	3,600 4,500 6,000 lm
Correlated Colour Temperature (Nom)	4000 K
Luminous efficacy (rated) (nom.)	157 155 lm/W
Colour rendering index (CRI)	>80
Light source colour	840 neutral white
Optic type	Wide beam office-compliant
Luminaire light beam spread	80°
Unified Glare Rating (CEN)	19

CoreLine recessed gen 4

All-in Type	All-in, Multi Lumen
-------------	---------------------

Operating and Electrical

Input Voltage	220-240 V
Line Frequency	50 or 60 Hz
Inrush current	5.33 A
Inrush time	0.04 ms
Power Consumption	38.5 23 W
Power Factor (Fraction)	0.9
Connection	Push-in connector 4-pole
Cable	Cable without plug 5-pole
Number of products on MCB (16 A type B)	73
Suitable for random switching	No
Protection class IEC	Safety class II

Controls and Dimming

Dimmable	Yes
Driver/power unit/transformer	Power supply unit with DALI interface
Control interface	DALI
Constant light output	No
DALI standard	DALI-2™

Mechanical and Housing

Housing material	Steel
Reflector material	Steel
Optic material	Polycarbonate
Optical cover/lens material	Polycarbonate
Fixation material	-
Housing Colour	White
Optical cover/lens finish	Microprismatic lens
Overall length	1,195 mm
Overall width	295 mm
Overall height	38.5 mm
Dimensions (height x width x depth)	39 x 295 x 1195 mm
Compatible ceiling or ceiling installation accessory type	Visible profile ceiling version
Ingress protection code	IP20/44 [Finger-protected; wire-protected, splash-proof]
Mech. impact protection code	IK03 [0.35 J reinforced]
Safety device	SC [Safety cable]
Net Weight (Piece)	2.950 kg

Emergency Operation

Emergency flux	380 lm
----------------	--------

Central Emergency	No
Emergency lighting	Emergency lighting ready (through compatible battery kit accessory)

Approval and Application

Glow-wire test	Temperature 650 °C, duration 30 s
Flammability mark	For mounting on normally flammable surfaces
CE mark	Yes
ENEC mark	KEMA Netherlands
Photobiological risk	Photobiological risk group 0 @200mm to EN62778
EU RoHS compliant	Yes
Performance ambient temperature Tq	25 °C
Ambient temperature range	-10 to +40 °C

Initial Performance (IEC Compliant)

Luminous flux tolerance	+/-10%
Initial chromaticity	(0.38,0.38)SDCM<3
Power consumption tolerance	+/-10%

Over Time Performance (IEC Compliant)

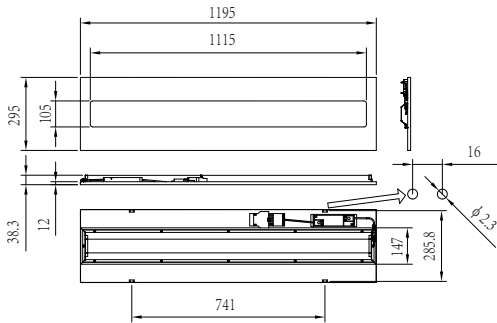
Control gear failure rate at median useful life 50,000 h	5 %
Lumen maintenance (EN-IEC 62722-2-1) at median useful life* 50000 h	L90
Lumen maintenance (EN-IEC 62722-2-1) at median useful life* 100000 h	L80

Product Data

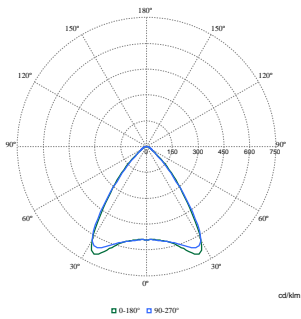
Order product name	RC136B G4 36_45_60S/840 PSD W30L120 OC
Full product name	RC136B G4 36_45_60S/840 PSD W30L120 OC
Full EOC	872016976413299
Order code	911401840887
Material no. (12 NC)	911401840887
Numerator – quantity per pack	1
EAN/UPC – Product/Case	8720169764132
Numerator – packs per outer box	4
EAN/UPC – Case	8720169764415

CoreLine recessed gen 4

Dimensional drawing



Photometric data



Polar Normal (separate) - null - 911401840887

