



CoreLine recessed gen 4

RC136B G4 34_43_57S/830 PSD W60L60 OC

CoreLine recessed gen 4, All-in, 38.5 W, 23 W, 600x600 mm, VPC, 3400 lm, 4300 lm, 5700 lm, 3000 K, DALI, UGR19, EL-ready

600x600 mm, Visible profile ceiling version, Steel, White, Signal white (RAL9003), Power supply unit with DALI interface, All-in, Multi Lumen, 3400 lm, 4300 lm, 5700 lm, 38.5 W, 23 W, 148 lm/W, 148 lm/W, 3000 K, (0.44,0.40)SDCM<3, UGR19, Wide beam office compliant, Microprismatic lens, Polycarbonate, IP20/44 | Finger-protected; wire-protected, splash-proof, IK03 | 0.35 J reinforced, Safety class II, Cable without plug 5-pole, Push-in connector 4-pole, SC | Safety cable, Self-contained emergency lighting is possible when used with a compatible battery kit accessory

Product data

General Information	
Number of gear units	1 unit
Driver included	Yes
Value ladder	Performance
Warranty period	5 years
Light Technical	
Luminous Flux	3,400 4,300 5,700 lm
Correlated Color Temperature (Nom)	3000 K
Luminous Efficacy (rated) (Nom)	148 148 lm/W
Color rendering index (CRI)	>80

Light source color	830 warm white
Optic type	Wide beam office compliant
Luminaire light beam spread	80°
Unified glare rating CEN	19
All-in Type	All-in, Multi Lumen
Operating and Electrical	
Input Voltage	220-240 V
Line Frequency	50 or 60 Hz
Inrush current	5.33 A
Inrush time	0.04 ms

CoreLine recessed gen 4

Power Consumption	38.5 23 W
Power Factor (Fraction)	0.9
Connection	Push-in connector 4-pole
Cable	Cable without plug 5-pole
Number of products on MCB of 16 A type B	73
Suitable for random switching	No
Protection class IEC	Safety class II

Controls and Dimming

Dimmable	Yes
Driver/power unit/transformer	Power supply unit with DALI interface
Control interface	DALI
Constant light output	No
DALI Standard	DALI-2™

Mechanical and Housing

Housing Material	Steel
Reflector material	Steel
Optic material	Polycarbonate
Optical cover material	Polycarbonate
Fixation material	-
Housing Color	White
Optical cover finish	Microprismatic lens
Overall length	595 mm
Overall width	595 mm
Overall height	38,5 mm
Dimensions (Height x Width x Depth)	39 x 595 x 595 mm
Compatible ceiling or ceiling installation accessory type	Visible profile ceiling version
Ingress protection code	IP20/44 [Finger-protected; wire-protected, splash-proof]
Mech. impact protection code	IK03 [0.35 J reinforced]
Safety device	SC [Safety cable]
Net Weight (Piece)	3.140 kg

Emergency Operation

Emergency flux	380 lm
Central Emergency	No
Emergency lighting	Self-contained emergency lighting is possible when used with a compatible battery kit accessory

Approval and Application

Glow-wire test	Temperature 650 °C, duration 30 s
Flammability mark	For mounting on normally flammable surfaces
CE mark	Yes
ENEC mark	ENEC mark

Photobiological risk	Photobiological risk group 0 @200mm to EN62778
EU RoHS compliant	Yes
Performance ambient temperature Tq	25 °C
Ambient temperature range	-10 to +40 °C

Initial Performance (IEC Compliant)

Luminous flux tolerance	+/-10%
Initial chromaticity	(0.44,0.40)SDCM<3
Power consumption tolerance	+/-10%

Over Time Performance (IEC Compliant)

Control gear failure rate at median useful life 50000 h	5 %
Lumen maintenance (EN-IEC 62722-2-1) at median useful life* 50000 h	L90
Lumen maintenance (EN-IEC 62722-2-1) at median useful life* 100000 h	L80

Sustainability Data

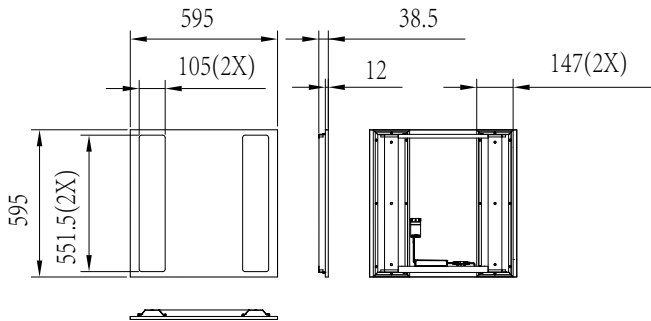
Sustainability rating	Unclassified
Repair class	Repair Class D, this product is not designed to be repaired.
Embedded carbon (A1-A3)	29.4 kg CO _{2e}
Product non-virgin material ratio	24 %
Recyclable content ratio of the finished product	69 %
GWP total B6 (kg CO _{2eq}) Declared Unit	Please calculate using your local energy mix value: Power Declared Unit (kW) * Service life (hrs) Declared Unit * Energy mix (kg CO _{2eq} / kWh)
GWP total B6 (kg CO _{2eq}) Functional Unit	Please calculate using your local energy mix value: Power Declared Unit (kW) * 1000 (lm) / lumen output (lm) Declared Unit * 35000 (hrs) * Energy mix (kg CO _{2 eq} / kWh)

Product Data

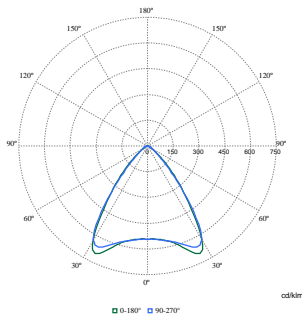
Order product name	RC136B G4 34_43_57S/830 PSD W60L60 OC
Full product name	RC136B G4 34_43_57S/830 PSD W60L60 OC
Full product code	872016976412599
Order code	76412599
Material Nr. (12NC)	911401840787
Numerator - Quantity Per Pack	1
EAN/UPC - Product/Case	8720169764125
Numerator - Packs per outer box	4
EAN/UPC - Case	8720169764408

CoreLine recessed gen 4

Dimensional drawing



Photometric data



Polar Normal (separate) - 911401840787

