



CoreLine Recessed Spot gen2

RS156B LED12-WB-/830 D68 WIA PI6 WH

CoreLine Recessed Spot gen2, Adjustable, 12 W, D68 mm, 1300 lm, 3000 K, Wireless, Interact Ready, Wide beam, White, IP20/44

CoreLine Recessed Spot gen2 delivers on the CoreLine promise of innovative, easy to use and high-quality luminaires. Its modular design allows “configure to fit” option that better responds to your specific needs. The range offers a wide range choice on light color (CCT), light output, color finish, frame types and connectivity options. The compact and lite design of CoreLine Recessed Spot gen2, always incorporating a push in connector allowing loop in/out wiring and supporting a wide range of wire diameters/cross-sectional area, makes installation hassle-free. High quality of light, numerous connectivity options, long luminaire lifetime and high system efficacy makes CoreLine Recessed Spot gen2 an ideal accent solution for your indoor spot lighting applications.

Warnings and Safety

- The luminaire should be installed and disassembled by a qualified electrician and wired in accordance with the latest IEE electrical regulations or the national requirements, as per the product mounting instructions.

Product data

General Information		Warranty period	
Light source replaceable	Yes	5 years	
Number of gear units	1 unit	Light Technical	
Driver included	Yes	Luminous Flux	1,300 lm
Lighting Technology	LED	Saturated Red (R9)	<50
Value ladder	Performance	Correlated Color Temperature (Nom)	3000 K

CoreLine Recessed Spot gen2

Luminous Efficacy (rated) (Nom)	108 lm/W
Color rendering index (CRI)	>80
Beam angle of light source	120 degree(s)
Light source color	830 warm white
Optic type	Wide beam
Luminaire light beam spread	36°
Unified glare rating CEN	33

Operating and Electrical

Input Voltage	220 to 240 V
Line Frequency	50 or 60 Hz
Initial CLO power consumption	- W
Average CLO power consumption	- W
Inrush current	4.9 A
Inrush time	0.056 ms
Power Consumption	12 W
Power Factor (Fraction)	0.9
Connection	Push-in connector 3-pole
Cable	Cable 0.25 m with connector 3-pole
Number of products on MCB of 16 A type B	24
Suitable for random switching	No
Protection class IEC	Safety class II
Total harmonic distortion	20 %

Controls and Dimming

Dimmable	Yes
Driver/power unit/transformer	Wireless driver Interact System ready external
Control interface	Wireless
Constant light output	No
Maximum dim level	10% (depends on dimmer, ELV)
Connectivity	Interact Ready

Mechanical and Housing

Housing Material	Aluminum die-cast
Reflector material	-
Optic material	Polycarbonate
Optical cover material	Polycarbonate
Fixation material	Steel
Housing Color	White
Optical cover finish	-
Overall height	62 mm
Overall diameter	85 mm
Ingress protection code	IP20/44 [Finger-protected; wire-protected, splash-proof]
Mech. impact protection code	IK03 [0.3 J]
Net Weight (Piece)	0.390 kg

Approval and Application

Glows-wire test	Temperature 650 °C, duration 30 s
Flammability mark	For mounting on normally flammable surfaces

CE mark	Yes
ENEC mark	ENEC mark
Photobiological risk	Photobiological risk group 1 @200mm to EN62778
Photobiological risk specification	0.2 m
EU RoHS compliant	Yes
Performance ambient temperature Tq	25 °C
Flickering value (PstLM) - Flickering value as per EN 61000-3-3	1
Stroboscopic effect visibility measure (SVM)	0.4
Ambient temperature range	0 to +35 °C

Initial Performance (IEC Compliant)

Luminous flux tolerance	+/-10%
Initial chromaticity	(0.43, 0.40) SDCM <5
Power consumption tolerance	+/-10%
Standard Deviation of Colour Matching (McAdam ellipse)	SDCM≤5

Over Time Performance (IEC Compliant)

Control gear failure rate at median useful life 50000 h	5 %
Lumen maintenance (EN-IEC 62722-2-1) at median useful life* 35000 h	-
Lumen maintenance (EN-IEC 62722-2-1) at median useful life* 50000 h	L70
Lumen maintenance (EN-IEC 62722-2-1) at median useful life* 75000 h	-
Lumen maintenance (EN-IEC 62722-2-1) at median useful life* 100000 h	-

Sustainability Data

Sustainability rating	Unclassified
Serviceability class	Class C, luminaire without serviceable parts, not serviceable
Embedded carbon (A1-A3)	12.7 kg CO _{2e}
Product non-virgin material ratio	11.9 %
Recyclable content ratio of the finished product	44.7 %
GWP total B6 (kg CO _{2eq}) Declared Unit	Please calculate using your local energy mix value: Power Declared Unit (kW) * Service life (hrs) Declared Unit * Energy mix (kg CO _{2eq} / kWh)
GWP total B6 (kg CO _{2eq}) Functional Unit	Please calculate using your local energy mix value: Power Declared Unit (kW) * 1000 (lm) / lumen output (lm) Declared Unit * 35000 (hrs) * Energy mix (kg CO _{2eq} / kWh)

Product Data

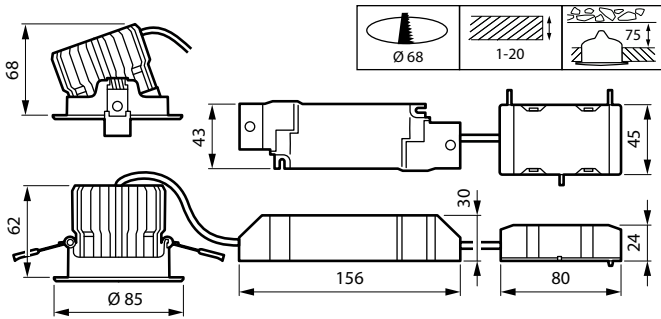
Order product name	RS156B LED12-WB-/830 D68 WIA P16 WH
Full product name	RS156B LED12-WB-/830 D68 WIA P16 WH

CoreLine Recessed Spot gen2

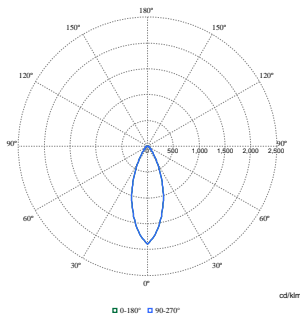
Full product code	871951494093299
Order code	911401821984
Material Nr. (12NC)	911401821984
Numerator - Quantity Per Pack	1
EAN/UPC - Product/Case	8719514940932

Numerator - Packs per outer box	18
EAN/UPC - Case	8719514941328

Dimensional drawing



Photometric data



Polar Normal (separate) - null - 911401821984

