



# CoreLine SlimDownlight

## DN145B LED10S/830\_840 PSU WH

CoreLine SlimDownlight, All-in, 9.5 W, D155, 1080 lm, 1150 lm, 3000 K, 4000 K, Textured, IP20/44, EL-ready

CoreLine SlimDownlight is a range of ultra-thin recessed luminaires designed to replace downlight luminaires based on CFL-ni/CFL-I lamp technology. The product's attractive TCO makes it easy for customers to make the switch to LED. CoreLine SlimDownlight delivers a natural 'surface of light' effect for use in general lighting applications. It also offers instant energy savings and a much longer lifetime, making it a real value-for-money and environmentally friendly solution. Installation is easy, as the luminaire fits the same size of cut-out and has an extremely small build-in depth.

### Product data

| General Information   |   | Operating and Electrical           |                                   |
|-----------------------|---|------------------------------------|-----------------------------------|
| Number of gear units  | 1 unit  | Correlated Color Temperature (Nom) | 3000 4000 K                       |
| Driver included       | Yes   | Luminous Efficacy (rated) (Nom)    | 120 114 lm/W                      |
| Service tag           | Yes   | Color rendering index (CRI)        | >80                               |
| Mounting              | Recessed  | Light source color                 | 830 warm white, 840 neutral white |
| Value ladder          | Performance   | Optic type                         | Beam angle 90° Symmetrical        |
| Serviceability class  | Class C, luminaire without serviceable parts, not serviceable | Luminaire light beam spread        | 90°                               |
| Warranty period       | 5 years   | Unified glare rating CEN           | 28                                |
| Sustainability rating | Unclassified  | All-in Type                        | All-in, Multi Color Temperature   |
| Light Technical       |   | Input Voltage                      | 220 to 240 V                      |
| Luminous Flux         | 1,080 1,150 lm  | Line Frequency                     | 50 or 60 Hz                       |
|                       |   | Average CLO power consumption      | - W                               |

# CoreLine SlimDownlight

|  |                          |
|--|--------------------------|
| Inrush current                           | 5.7 A                    |
| Inrush time                              | 0.3 ms                   |
| Power Consumption                        | 9.5 W                    |
| Power Factor (Fraction)                  | 0.9                      |
| Connection                               | Push-in connector 6-pole |
| Cable                                    | -                        |
| Number of products on MCB of 16 A type B | 65                       |
| Suitable for random switching            | No                       |
| Protection class IEC                     | Safety class II          |
| Total harmonic distortion                | 20 %                     |

## Controls and Dimming

|                               |                                     |
|-------------------------------|-------------------------------------|
| Dimmable                      | No                                  |
| Driver/power unit/transformer | Power supply unit external (On/Off) |
| Control interface             | -                                   |
| Constant light output         | No                                  |

## Mechanical and Housing

|                              |                         |
|------------------------------|-------------------------|
| Housing Material             | Aluminum die-cast       |
| Reflector material           | Polycarbonate           |
| Optic material               | Polymethyl methacrylate |
| Optical cover material       | Polycarbonate           |
| Fixation material            | -                       |
| Housing Color                | White                   |
| Optical cover finish         | Textured                |
| Overall height               | 25 mm                   |
| Overall diameter             | 170 mm                  |
| Ingress protection code      | IP20(IP44 front)        |
| Mech. impact protection code | IK03 [0.3 J]            |
| Net Weight (Piece)           | 0.300 kg                |

## Emergency Operation

|                    |   |
|--------------------|---|
| Central Emergency  | No  |
| Emergency lighting | Emergency lighting ready (through compatible battery kit accessory) |

## Approval and Application

|                |                                   |
|----------------|-----------------------------------|
| Glow-wire test | Temperature 650 °C, duration 30 s |
|----------------|-----------------------------------|

|   |   |
|---|---|
| Flammability mark   | For mounting on normally flammable surfaces |
| CE mark   | Yes   |
| ENEC mark   | ENEC mark                                   |
| EU RoHS compliant   | Yes   |
| Performance ambient temperature Tq                                | 25 °C                                       |
| Flickering value (PstLM) - Flickering value as 1 per EN 61000-3-3 |   |
| Stroboscopic effect visibility measure (SVM)                      | 0.4   |
| Ambient temperature range   | -20 to +40 °C                               |

## Initial Performance (IEC Compliant)

|  |  |
|--|--|
| Luminous flux tolerance                                | -10% / +10%                            |
| Initial chromaticity                                   | (0.43,0.40) SDCM<3; (0.38,0.38) SDCM<3 |
| Power consumption tolerance                            | +/-10%                                 |
| Standard Deviation of Colour Matching (McAdam ellipse) | SDCM≤3                                 |

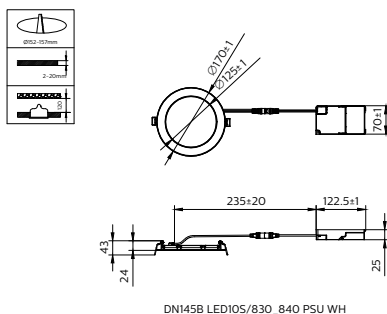
## Over Time Performance (IEC Compliant)

|   |     |
|---|-----|
| Control gear failure rate at median useful life 50000 h             | 5 % |
| Lumen maintenance (EN-IEC 62722-2-1) at median useful life* 50000 h | L80 |

## Product Data

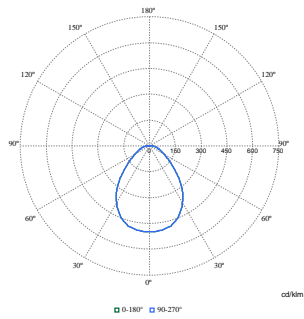
|                                 |                              |
|---------------------------------|------------------------------|
| Order product name              | DN145B LED10S/830_840 PSU WH |
| Full product name               | DN145B LED10S/830_840 PSU WH |
| Full product code               | 872016950041999              |
| Order code                      | 50041999                     |
| Material Nr. (12NC)             | 911401816185                 |
| Numerator - Quantity Per Pack   | 1                            |
| EAN/UPC - Product/Case          | 8720169500419                |
| Numerator - Packs per outer box | 24                           |
| EAN/UPC - Case                  | 8720169500464                |

## Dimensional drawing



# CoreLine SlimDownlight

## Photometric data



Polar Normal (separate) - null - 911401816185

