



CoreLine SlimDownlight

DN145B LED6S/830_840 PSU WH

CoreLine SlimDownlight, All-in, 6.5 W, 680 lm, 700 lm, 3000 K, 4000 K, Textured, IP20/44, EL-ready

CoreLine slimdownlight delivers on the CoreLine promise of innovative, easy-to-use and high-quality indoor LED downlights. The CoreLine slim downlight is an innovative range of recessed and surface-mounted luminaires. It is designed to provide uniform lighting across multiple application areas. With instant energy-savings and a longer lifetime, this is an environmentally friendly and cost-saving solution. Its MultiColorTemp feature offers a choice of two colour temperatures in a single luminaire. This makes it easy to select the right product, gives you the flexibility respond to customer preferences on site, and means fewer product codes in stock. Simple and easy installation means that our slim downlight fits the same size cut-out, while the minimal built-in depth of 34 mm makes this product an ideal space-saving solution, especially for projects with limited fitting space. InterAct Ready option with integrated wireless communications in this family is available, to be used with InterAct gateways, sensors and software.

Product data

| General Information | |
|----------------------|-------------|
| Number of gear units | Unit |
| Driver included | Yes |
| Service Tag | Yes |
| Mounting | Recessed |
| Value ladder | Performance |
| Warranty period | 5 years |

| Light Technical | |
|-------------------------------------|-----------------------------------|
| Luminous Flux | 680 700 lm |
| Correlated Colour Temperature (Nom) | 3000 4000 K |
| Luminous efficacy (rated) (nom.) | 110 105 lm/W |
| Colour rendering index (CRI) | >80 |
| Light source colour | 830 warm white, 840 neutral white |
| Optic type | Beam angle 90° Symmetrical |
| Luminaire light beam spread | 90° |

CoreLine SlimDownlight

| | |
|----------------------------|---------------------------------|
| Unified Glare Rating (CEN) | 33 |
| All-in Type | All-in, Multi Color Temperature |

Operating and Electrical

| | |
|---|--------------------------|
| Input Voltage | 220 to 240 V |
| Line Frequency | 50 or 60 Hz |
| Average CLO power consumption | - W |
| Inrush current | 5.7 A |
| Inrush time | 0.3 ms |
| Power Consumption | 6.5 W |
| Power Factor (Fraction) | 0.9 |
| Connection | Push-in connector 6-pole |
| Cable | - |
| Number of products on MCB (16 A type B) | 65 |
| Suitable for random switching | No |
| Protection class IEC | Safety class II |
| Total harmonic distortion | 20 % |

Controls and Dimming

| | |
|-------------------------------|-------------------------------------|
| Dimmable | No |
| Driver/power unit/transformer | Power supply unit external (On/Off) |
| Control interface | - |
| Constant light output | No |

Mechanical and Housing

| | |
|------------------------------|--|
| Housing material | Aluminium die-cast |
| Reflector material | Polycarbonate |
| Optic material | Polymethyl methacrylate |
| Optical cover/lens material | Polycarbonate |
| Fixation material | - |
| Housing Colour | White |
| Optical cover/lens finish | Textured |
| Overall height | 25 mm |
| Overall diameter | 90 mm |
| Ingress protection code | IP20/44 [Finger-protected; wire-protected, splash-proof] |
| Mech. impact protection code | IK03 [0.3 J] |
| Net Weight (Piece) | 0.180 kg |

Emergency Operation

| | |
|--------------------|---|
| Central Emergency | No |
| Emergency lighting | Emergency lighting ready (through compatible battery kit accessory) |

Approval and Application

| | |
|-------------------|---|
| Glow-wire test | Temperature 650 °C, duration 30 s |
| Flammability mark | For mounting on normally flammable surfaces |
| CE mark | Yes |
| ENEC mark | ENEC mark |

| | |
|------------------------------------|---------------|
| EU RoHS compliant | Yes |
| Performance ambient temperature Tq | 25 °C |
| Flickering value (PstLM) | 1 |
| Stroboscopic effect | 0.4 |
| Ambient temperature range | -20 to +40 °C |

Initial Performance (IEC Compliant)

| | |
|--|--|
| Luminous flux tolerance | -10% / +10% |
| Initial chromaticity | (0.43,0.40) SDCM<3; (0.38,0.38) SDCM<3 |
| Power consumption tolerance | +/-10% |
| Standard Deviation of Colour Matching (McAdam ellipse) | SDCM≤3 |

Over Time Performance (IEC Compliant)

| | |
|---|-----|
| Control gear failure rate at median useful life 50,000 h | 5 % |
| Lumen maintenance (EN-IEC 62722-2-1) at median useful life* 50000 h | L80 |

Sustainability Data

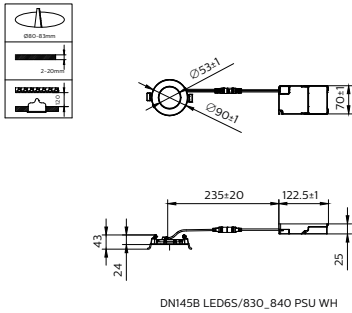
| | |
|--|---|
| Sustainability rating | Unclassified |
| Repair class | Repair Class D, this product is not designed to be repaired. |
| Embedded carbon (A1-A3) | 2.7 kg CO ₂ e |
| Product non-virgin material ratio | 10.6 % |
| Recyclable the content ratio of the finished product | 50.9 % |
| GWP total B6 (kg CO ₂ eq) Declared Unit | Please calculate using your local energy mix value: Power Declared Unit (kW) * Service life (hrs) Declared Unit * Energy mix (kg CO ₂ eq / kWh) |
| GWP total B6 (kg CO ₂ eq) Functional Unit | Please calculate using your local energy mix value: POWER DECLARED UNIT (kW) * 1000 (lm) / LUMEN OUTPUT DECLARED UNIT (lm) * 35000 (hrs) * ENERGY MIX (kg CO ₂ eq / kWh) |

Product Data

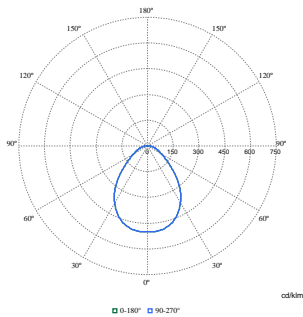
| | |
|---------------------------------|-----------------------------|
| Order product name | DN145B LED6S/830_840 PSU WH |
| Full product name | DN145B LED6S/830_840 PSU WH |
| Full EOC | 872016950040299 |
| Order code | 911401816085 |
| Material no. (12 NC) | 911401816085 |
| Numerator – quantity per pack | 1 |
| EAN/UPC – Product/Case | 8720169500402 |
| Numerator – packs per outer box | 24 |
| EAN/UPC - Case | 8720169500457 |

CoreLine SlimDownlight

Dimensional drawing



Photometric data



Polar Normal (separate) - 911401816085

