



# CoreLine Recessed Spot gen2

## RS151B LED6-WB-/830 D78HALOX PSR PI6 WH

CoreLine Recessed Spot gen2, Adjustable, 7.2 W, D78 mm, HALOX, 650 lm, 3000 K, Phase-cut dim, Wide beam, White, IP20/44

CoreLine Recessed Spot gen2, Adjustable, D78 mm, Halox®100 concrete ceiling installation accessory version ("tunnel 190" needed for external drivers), Aluminum die-cast, White, Recessed, Power supply unit regulating, 650 lm, 7.2 W, 90 lm/W, 3000 K, (0.43, 0.40) SDCM <5, Wide beam, Polycarbonate, IP20/44 | Finger-protected; wire-protected, splash-proof, IK03 | 0.3 J, Safety class II, Cable 0.25 m with connector 3-pole, Push-in connector 3-pole

### Warnings and Safety

- The luminaire should be installed and disassembled by a qualified electrician and wired in accordance with the latest IEE electrical regulations or the national requirements, as per the product mounting instructions.

### Product data

General Information		Saturated Red (R9)	
Light source replaceable	Yes		<50
Number of gear units	1 unit	Correlated Color Temperature (Nom)	3000 K
Driver included	Yes	Luminous Efficacy (rated) (Nom)	90 lm/W
Lighting Technology	LED	Color rendering index (CRI)	>80
Value ladder	Performance	Beam angle of light source	120 degree(s)
Warranty period	5 years	Light source color	830 warm white
		Optic type	Wide beam
		Luminaire light beam spread	38°
		Unified glare rating CEN	21
Light Technical			
Luminous Flux	650 lm		

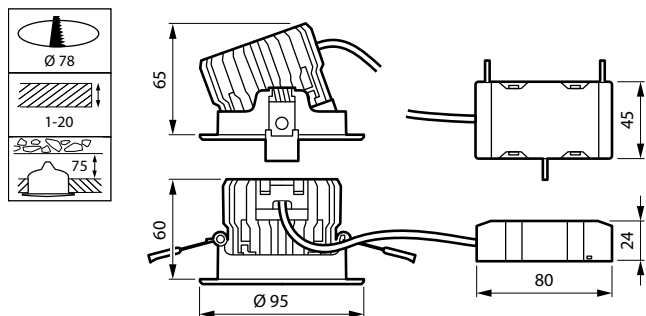
## CoreLine Recessed Spot gen2

Operating and Electrical	
Input Voltage	220 to 240 V
Line Frequency	50 or 60 Hz
Average CLO power consumption	- W
Inrush current	2.5 A
Inrush time	0.1 ms
Power Consumption	7.2 W
Power Factor (Fraction)	0.9
Connection	Push-in connector 3-pole
Cable	Cable 0.25 m with connector 3-pole
Number of products on MCB of 16 A type B	40
Suitable for random switching	No
Protection class IEC	Safety class II
Total harmonic distortion	45 %
Controls and Dimming	
Dimmable	Yes
Driver/power unit/transformer	Power supply unit regulating
Control interface	Phase-cut dim
Constant light output	No
Maximum dim level	10% (depends on dimmer, ELV)
Mechanical and Housing	
Housing Material	Aluminum die-cast
Reflector material	-
Optic material	Polycarbonate
Optical cover material	Polycarbonate
Fixation material	Steel
Housing Color	White
Optical cover finish	-
Overall height	60 mm
Overall diameter	95 mm
Compatible ceiling or ceiling installation accessory type	Halox®100 concrete ceiling installation accessory version ("tunnel 190" needed for external drivers)
Nominal Ceiling cut-out diameter	78 mm
Ingress protection code	IP20/44 [Finger-protected; wire-protected, splash-proof]
Mech. impact protection code	IK03 [0.3 J]
Mounting	Recessed
Net Weight (Piece)	0.330 kg
Approval and Application	
Glow-wire test	Temperature 650 °C, duration 30 s
Flammability mark	For mounting on normally flammable surfaces
CE mark	Yes
ENEC mark	ENEC mark
Photobiological risk	Photobiological risk group 1 @200mm to EN62778
Photobiological risk specification	0.2 m
EU RoHS compliant	Yes

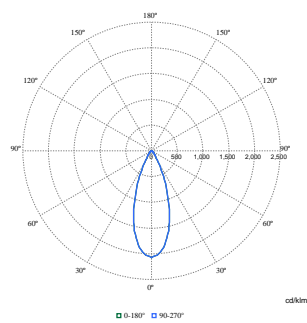
Performance ambient temperature Tq	25 °C
Flickering value (PstLM) - Flickering value as per EN 61000-3-3	1
Stroboscopic effect visibility measure (SVM)	0.4
Ambient temperature range	0 to +35 °C
Initial Performance (IEC Compliant)	
Luminous flux tolerance	+/-10%
Initial chromaticity	(0.43, 0.40) SDCM <5
Power consumption tolerance	+/-10%
Standard Deviation of Colour Matching (McAdam ellipse)	SDCM≤5
Over Time Performance (IEC Compliant)	
Control gear failure rate at median useful life 50000 h	5 %
Lumen maintenance (EN-IEC 62722-2-1) at median useful life* 50000 h	L70
Sustainability Data	
Repair class	Repair Class D, this product is not designed to be repaired.
Embedded carbon (A1-A3)	6.95 kg CO <sub>2</sub> e
Product non-virgin material ratio	7.29 %
Recyclable content ratio of the finished product	60 %
GWP total B6 (kg CO <sub>2</sub> eq) Declared Unit	Please calculate using your local energy mix value: Power Declared Unit (kW) * Service life (hrs) Declared Unit * Energy mix (kg CO <sub>2</sub> eq / kWh)
GWP total B6 (kg CO <sub>2</sub> eq) Functional Unit	Please calculate using your local energy mix value: Power Declared Unit (kW) * 1000 (lm) / lumen output (lm) Declared Unit * 35000 (hrs) * Energy mix (kg CO <sub>2</sub> eq / kWh)
Non-virgin material ratio of the packaging	Cardboard > 80% recycled
Packaging Recyclable content ratio	Cardboard recycling rate > 80%
Packaging Material	Cardboard
Product Data	
Order product name	RS151B LED6-WB-/830 D78HALOX PSR P16 WH
Full product name	RS151B LED6-WB-/830 D78HALOX PSR P16 WH
Full product code	871951493843499
Order code	93843499
Material Nr. (12NC)	911401811284
Numerator - Quantity Per Pack	1
EAN/UPC - Product/Case	8719514938434
Numerator - Packs per outer box	18
EAN/UPC - Case	8719514938540

# CoreLine Recessed Spot gen2

## Dimensional drawing



## Photometric data



Polar Normal (separate) - 911401811284

