



# SmartBright CNG Downlight DN058

## DN058C LED22/840 220-240V D275 RD

SmartBright CNG Downlight DN058, 24 W, 2200 lm, 4000 K, Symmetric 110°, Matte, IP20 | Finger-protected

SmartBright CNG downlight series products offer reliable lighting performance with long lifetime and meet all the IEC safety regulation requirements. Products have multiple installation, including both recessed and surface mount. Products also have different shapes as options, round and square shape can meet different customer's requirement. Products have three CCT options with different cut out solutions. Products have no harm to eyes and give eyeconfort experience.

### Product data

General Information	
Number of gear units	1 unit
Gear	EB [Electronic]
Driver included	Yes
Light source engine type	LED
Value ladder	Value
Warranty period	1 years
Light Technical	
Luminous Flux	2.200 lm
Correlated Color Temperature (Nom)	4000 K
Luminous Efficacy (rated) (Nom)	92 lm/W
Color rendering index (CRI)	>80
Number of light sources	1
Beam angle of light source	110 degree(s)

Light source color	840 neutral white
Optic type	Symmetric 110°
Luminaire light beam spread	110°
Unified glare rating CEN	30
Effective projected area	0.75 m <sup>2</sup>
Operating and Electrical	
Input Voltage	220-240 V
Line Frequency	50 or 60 Hz
Inrush current	10.2 A
Inrush time	0.16 ms
Power Consumption	24 W
Power Factor (Fraction)	0.5
Connection	Flying leads/wires
Cable	2x0.75mm <sup>2</sup> Cable without plug 2-pole

# SmartBright CNG Downlight DN058

Number of products on MCB of 16 A type B	74
Suitable for random switching	No
Protection class IEC	Safety class II

## Controls and Dimming

Dimmable	No
Control interface	-
Maximum dim level	Not applicable

## Mechanical and Housing

Housing Material	Polypropylene
Reflector material	-
Optic material	Polystyrene
Optical cover material	Polystyrene
Housing Color	White RAL 9003
Mounting device	Recessed mounting box round
Optical cover finish	Matte
Overall height	35 mm
Overall diameter	295 mm
Ingress protection code	IP20 [Finger-protected]
Mech. impact protection code	IK03 [0.3 J]
Optical cover type	PS
Net Weight (Piece)	0.360 kg

## Approval and Application

Glow-wire test	Temperature 650 °C, duration 30 s
Flammability mark	For mounting on normally flammable surfaces

CE mark	Yes
ENEC mark	-
Photobiological risk	Photobiological risk group 0 @200mm to EN62778
Photobiological risk specification	0.2 m
EU RoHS compliant	Yes
Performance ambient temperature Tq	25 °C
Ambient temperature range	-20 °C to 40 °C

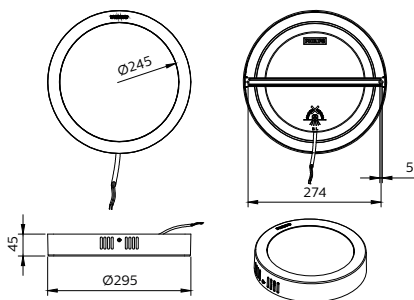
## Initial Performance (IEC Compliant)

Luminous flux tolerance	+/-10%
Initial chromaticity	(0.38,0.38) SDCM≤6
Power consumption tolerance	+/-10%

## Product Data

Order product name	DN058C LED22/840 220-240V D275 RD
Full product name	DN058C LED22/840 220-240V D275 RD
Full product code	872110331888699
Order code	31888699
Material Nr. (12NC)	911401808588
Numerator - Quantity Per Pack	1
EAN/UPC - Product/Case	8721103318886
Numerator - Packs per outer box	10
EAN/UPC - Case	8721103319753

## Dimensional drawing



## SmartBright CNG Downlight DN058

