



# SmartBright CNG Downlight DN058

## DN058B LED22/865 220-240V L275 SQ

SmartBright CNG Downlight DN058, 24 W, 2200 lm, 6500 K, Symmetric 110°, Matte, IP20 | Finger-protected

SmartBright CNG downlight series products offer reliable lighting performance with long lifetime and meet all the IEC safety regulation requirements. Products have multiple installation, including both recessed and surface mount. Products also have different shapes as options, round and square shape can meet different customer's requirement. Products have three CCT options with different cut out solutions. Products have no harm to eyes and give eyeconfort experience.

### Product data

| General Information                |                 | Light source color              |   |
|------------------------------------|-----------------|---------------------------------|---|
| Number of gear units               | 1 unit          | Light source color              | 865 cool daylight                               |
| Gear                               | EB [Electronic] | Optic type                      | Symmetric 110°                                  |
| Driver included                    | Yes             | Luminaire light beam spread     | 110°  |
| Light source engine type           | LED             | Unified glare rating CEN        | 30  |
| Value ladder                       | Value           | Effective projected area        | 0.75 m <sup>2</sup>                             |
| Warranty period                    | 1 years         | <b>Operating and Electrical</b> |   |
| <b>Light Technical</b>             |                 | Input Voltage                   | 220-240 V                                       |
| Luminous Flux                      | 2.200 lm        | Line Frequency                  | 50 or 60 Hz                                     |
| Correlated Color Temperature (Nom) | 6500 K          | Inrush current                  | 10.2 A  |
| Luminous Efficacy (rated) (Nom)    | 92 lm/W         | Inrush time                     | 0.16 ms   |
| Color rendering index (CRI)        | >80             | Power Consumption               | 24 W  |
| Number of light sources            | 1               | Power Factor (Fraction)         | 0.5   |
| Beam angle of light source         | 110 degree(s)   | Connection                      | Flying leads/wires                              |
|                                    |                 | Cable                           | 2x0.75mm <sup>2</sup> Cable without plug 2-pole |

# SmartBright CNG Downlight DN058

|  |                 |
|--|-----------------|
| Number of products on MCB of 16 A type B | 74              |
| Suitable for random switching            | No              |
| Protection class IEC                     | Safety class II |

## Controls and Dimming

|                   |                |
|-------------------|----------------|
| Dimmable          | No             |
| Control interface | -              |
| Maximum dim level | Not applicable |

## Mechanical and Housing

|                              |                             |
|------------------------------|-----------------------------|
| Housing Material             | Polypropylene               |
| Reflector material           | -                           |
| Optic material               | Polystyrene                 |
| Optical cover material       | Polystyrene                 |
| Housing Color                | White RAL 9003              |
| Mounting device              | Recessed mounting box round |
| Optical cover finish         | Matte                       |
| Overall length               | 295 mm                      |
| Overall width                | 295 mm                      |
| Ingress protection code      | IP20 [Finger-protected]     |
| Mech. impact protection code | IK03 [0.3 J]                |
| Optical cover type           | PS                          |
| Net Weight (Piece)           | 0.330 kg                    |

## Approval and Application

|                   |   |
|-------------------|---|
| Glow-wire test    | Temperature 650 °C, duration 30 s           |
| Flammability mark | For mounting on normally flammable surfaces |

|                                    |  |
|------------------------------------|--|
| CE mark                            | Yes  |
| ENEC mark                          | -  |
| Photobiological risk               | Photobiological risk group 0 @200mm to EN62778 |
| Photobiological risk specification | 0.2 m  |
| EU RoHS compliant                  | Yes  |
| Performance ambient temperature Tq | 25 °C  |
| Ambient temperature range          | -20 °C to 40 °C                                |

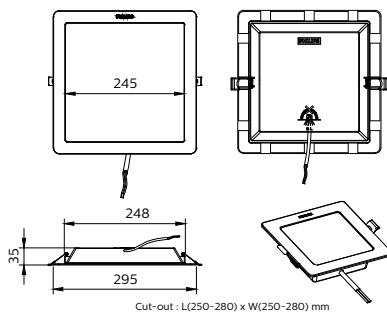
## Initial Performance (IEC Compliant)

|                             |                    |
|-----------------------------|--------------------|
| Luminous flux tolerance     | -10%,+15%          |
| Initial chromaticity        | (0.31,0.33) SDCM≤6 |
| Power consumption tolerance | +/-10%             |

## Product Data

|                                 |                                   |
|---------------------------------|-----------------------------------|
| Order product name              | DN058B LED22/865 220-240V L275 SQ |
| Full product name               | DN058B LED22/865 220-240V L275 SQ |
| Full product code               | 872110331886299                   |
| Order code                      | 911401808388                      |
| Material Nr. (12NC)             | 911401808388                      |
| Numerator - Quantity Per Pack   | 1                                 |
| EAN/UPC - Product/Case          | 8721103318862                     |
| Numerator - Packs per outer box | 10                                |
| EAN/UPC - Case                  | 8721103319739                     |

## Dimensional drawing



## SmartBright CNG Downlight DN058

