



SmartBright CNG Downlight DN058

DN058B LED18/865 220-240V D200 RD

SmartBright CNG Downlight DN058, 17 W, 1800 lm, 6500 K, Symmetric 110°, Matte, IP20 | Finger-protected

SmartBright CNG downlight series products offer reliable lighting performance with long lifetime and meet all the IEC safety regulation requirements. Products have multiple installation, including both recessed and surface mount. Products also have different shapes as options, round and square shape can meet different customer's requirement. Products have three CCT options with different cut out solutions. Products have no harm to eyes and give eyeconfort experience.

Product data

General Information		Light source color	
Number of gear units	1 unit	Light source color	865 cool daylight
Gear	EB [Electronic]	Optic type	Symmetric 110°
Driver included	Yes	Luminaire light beam spread	110°
Light source engine type	LED	Unified glare rating CEN	30
Value ladder	Value	Effective projected area	0.75 m ²
Warranty period	1 years		
Light Technical		Operating and Electrical	
Luminous Flux	1,800 lm	Input Voltage	220-240 V
Correlated Color Temperature (Nom)	6500 K	Line Frequency	50 or 60 Hz
Luminous Efficacy (rated) (Nom)	106 lm/W	Inrush current	16.6 A
Color rendering index (CRI)	>80	Inrush time	0.077 ms
Number of light sources	1	Power Consumption	17 W
Beam angle of light source	110 degree(s)	Power Factor (Fraction)	0.5
		Connection	Flying leads/wires
		Cable	2×0.75mm ² Cable without plug 2-pole

SmartBright CNG Downlight DN058

Number of products on MCB of 16 A type B	93
Suitable for random switching	No
Protection class IEC	Safety class II

Controls and Dimming

Dimmable	No
Control interface	-
Maximum dim level	Not applicable

Mechanical and Housing

Housing Material	Polypropylene
Reflector material	-
Optic material	Polystyrene
Optical cover material	Polystyrene
Housing Color	White RAL 9003
Mounting device	Recessed mounting box round
Optical cover finish	Matte
Overall height	35 mm
Overall diameter	220 mm
Ingress protection code	IP20 [Finger-protected]
Mech. impact protection code	IK03 [0.3 J]
Optical cover type	PS
Net Weight (Piece)	0.150 kg

Approval and Application

Glow-wire test	Temperature 650 °C, duration 30 s
Flammability mark	For mounting on normally flammable surfaces

CE mark	Yes
ENEC mark	-
Photobiological risk	Photobiological risk group 0 @200mm to EN62778
Photobiological risk specification	0.2 m
EU RoHS compliant	Yes
Performance ambient temperature Tq	25 °C
Ambient temperature range	-20 °C to 40 °C

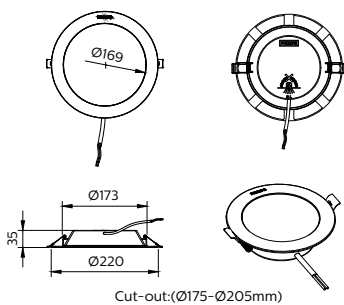
Initial Performance (IEC Compliant)

Luminous flux tolerance	+/-10%
Initial chromaticity	(0.31,0.33) SDCM≤6
Power consumption tolerance	+/-10%

Product Data

Order product name	DN058B LED18/865 220-240V D200 RD
Full product name	DN058B LED18/865 220-240V D200 RD
Full product code	872110331871899
Order code	31871899
Material Nr. (12NC)	911401806888
Numerator - Quantity Per Pack	1
EAN/UPC - Product/Case	8721103318718
Numerator - Packs per outer box	10
EAN/UPC - Case	8721103319586

Dimensional drawing



SmartBright CNG Downlight DN058

