



SmartBright Downlight DN058 WV

DN058C LED20/840 110-240V L275 SQ

SmartBright Downlight DN058 WV, 22 W, 2000 lm, 4000 K, Symmetric 110°, Matte, IP20 | Finger-protected

SmartBright downlight DN058 WV series products offer reliable lighting performance with long lifetime and meet all the IEC safety regulation requirements. Products have multiple installation, including both recessed and surface mount. Products also have Different shapes as options, round and square shape can meet different customer's requirement. Products have three CCT options with different cut out solutions. Products have no harm to eyes and give eye comfortable experience.

Product data

General Information	
Number of gear units	1 unit
Gear	EB [Electronic]
Driver included	Yes
Light source engine type	LED
Value ladder	Value
Warranty period	1 years
Light Technical	
Luminous Flux	2,000 lm
Correlated Color Temperature (Nom)	4000 K
Luminous Efficacy (rated) (Nom)	91 lm/W
Color rendering index (CRI)	>80
Number of light sources	1
Beam angle of light source	110 degree(s)

Light source color	840 neutral white
Optic type	Symmetric 110°
Luminaire light beam spread	110°
Unified glare rating CEN	30
Effective projected area	0.75 m ²
Operating and Electrical	
Input Voltage	110 to 240 V
Line Frequency	50 or 60 Hz
Inrush current	20.2 A
Inrush time	0.19 ms
Power Consumption	22 W
Power Factor (Fraction)	0.5
Connection	Flying leads/wires
Cable	2×0.75mm ² Cable without plug 2-pole

SmartBright Downlight DN058 WV

Number of products on MCB of 16 A type B	35
Suitable for random switching	No
Protection class IEC	Safety class II

Controls and Dimming

Dimmable	No
Control interface	-
Maximum dim level	Not applicable

Mechanical and Housing

Housing Material	Polypropylene
Reflector material	-
Optic material	Polystyrene
Optical cover material	Polystyrene
Housing Color	White RAL 9003
Mounting device	Mounting bracket
Optical cover finish	Matte
Overall length	295 mm
Overall width	295 mm
Overall height	35 mm
Dimensions (Height x Width x Depth)	35 x 295 x 295 mm
Ingress protection code	IP20 [Finger-protected]
Mech. impact protection code	IK03 [0.3 J]
Optical cover type	PS
Net Weight (Piece)	0.420 kg

Approval and Application

Glow-wire test	Temperature 650 °C, duration 30 s
----------------	-----------------------------------

Flammability mark	For mounting on normally flammable surfaces
CE mark	No
ENEC mark	-
Photobiological risk	Photobiological risk group 0 @200mm to EN62778
Photobiological risk specification	0.2 m
EU RoHS compliant	Yes
Performance ambient temperature Tq	25 °C
Ambient temperature range	-20 °C to 40 °C

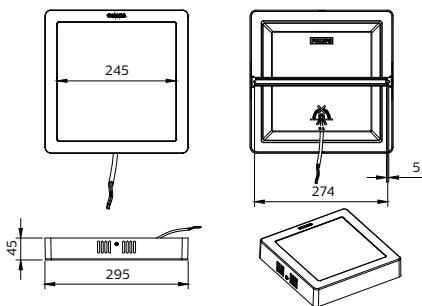
Initial Performance (IEC Compliant)

Luminous flux tolerance	-10%,+15%
Initial chromaticity	(0.38,0.38) SDCM≤6
Power consumption tolerance	+/-10%

Product Data

Order product name	DN058C LED20/840 110-240V L275 SQ
Full product name	DN058C LED20/840 110-240V L275 SQ
Full product code	872110331846699
Order code	911401804388
Material Nr. (12NC)	911401804388
Numerator - Quantity Per Pack	1
EAN/UPC - Product/Case	8721103318466
Numerator - Packs per outer box	10
EAN/UPC - Case	8721103319333

Dimensional drawing



SmartBright Downlight DN058 WV

