



SmartBright Downlight DN058 WV

DN058B LED13/830 110-240V D200 RD

SmartBright Downlight DN058 WV, 11.5 W, 1210 lm, 3000 K, Symmetric 110°, Matte, IP20 | Finger-protected

SmartBright downlight DN058 WV series products offer reliable lighting performance with long lifetime and meet all the IEC safety regulation requirements. Products have multiple installation, including both recessed and surface mount. Products also have Different shapes as options, round and square shape can meet different customer's requirement. Products have three CCT options with different cut out solutions. Products have no harm to eyes and give eye comfortable experience.

Product data

General Information		Light source color	
Number of gear units	1 unit	Light source color	830 warm white
Gear	EB [Electronic]	Optic type	Symmetric 110°
Driver included	Yes	Luminaire light beam spread	110°
Light source engine type	LED	Unified glare rating CEN	30
Value ladder	Value	Effective projected area	0.75 m ²
Warranty period	1 years	Operating and Electrical	
Light Technical		Input Voltage	110 to 240 V
Luminous Flux	1,210 lm	Line Frequency	50 or 60 Hz
Correlated Color Temperature (Nom)	3000 K	Inrush current	19.1 A
Luminous Efficacy (rated) (Nom)	105 lm/W	Inrush time	0.096 ms
Color rendering index (CRI)	>80	Power Consumption	11.5 W
Number of light sources	1	Power Factor (Fraction)	0.5
Beam angle of light source	110 degree(s)	Connection	Flying leads/wires
		Cable	2×0.75mm ² Cable without plug 2-pole

SmartBright Downlight DN058 WV

Number of products on MCB of 16 A type B 60	
Suitable for random switching	No
Protection class IEC	Safety class II

Controls and Dimming

Dimmable	No
Control interface	-
Maximum dim level	Not applicable

Mechanical and Housing

Housing Material	Polypropylene
Reflector material	-
Optic material	Polystyrene
Optical cover material	Polystyrene
Housing Color	White RAL 9003
Mounting device	Recessed mounting box round
Optical cover finish	Matte
Overall height	35 mm
Overall diameter	220 mm
Ingress protection code	IP20 [Finger-protected]
Mech. impact protection code	IK03 [0.3 J]
Optical cover type	PS
Net Weight (Piece)	0.150 kg

Approval and Application

Glow-wire test	Temperature 650 °C, duration 30 s
Flammability mark	For mounting on normally flammable surfaces

CE mark	No
ENEC mark	-
Photobiological risk	Photobiological risk group 0 @200mm to EN62778
Photobiological risk specification	0.2 m
EU RoHS compliant	Yes
Performance ambient temperature Tq	25 °C
Ambient temperature range	-20 °C to 40 °C

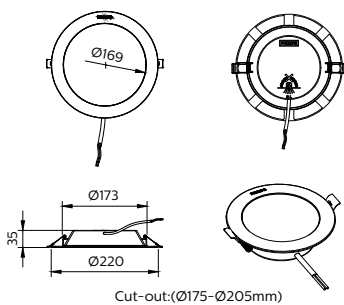
Initial Performance (IEC Compliant)

Luminous flux tolerance	-10%,+15%
Initial chromaticity	(0.43,0.40) SDCM≤6
Power consumption tolerance	+/-10%

Product Data

Order product name	DN058B LED13/830 110-240V D200 RD
Full product name	DN058B LED13/830 110-240V D200 RD
Full product code	872110331824499
Order code	911401802188
Material Nr. (12NC)	911401802188
Numerator - Quantity Per Pack	1
EAN/UPC - Product/Case	8721103318244
Numerator - Packs per outer box	10
EAN/UPC - Case	8721103319111

Dimensional drawing



SmartBright Downlight DN058 WV

