



GreenSpace G6

DN391B LED14/830 P12PSD D100 ALWP GMG2HE

GreenSpace G6, 12 W, 1300 lm, 3000 K, DALI, Facetted reflector, Matte, IP20/54 | Finger-protected; dust accumulation-protected, splash-proof

Philips GreenSpace G6 builds on the GreenSpace family's reputation for superb performance, extremely low energy use, and high visual comfort. This next generation of reliable LED downlights comes in a highly-compact design with a deep, recessed architecture and increased reflector depth to highlight the smallest of details. GreenSpace G6 is also a shining example of versatility. This energy-saving LED downlight is available in a comprehensive range of configurations from 600 to 3,550 lumen, with the option to choose fixed, dimmable, or Interact Ready variants. This makes GreenSpace G6 the perfect 'mix and match' solution for potentially broad and extended applications that require different lighting ambiances, with one cohesive luminaire look and feel.

Product data

| General Information | | Operating and Electrical | |
|------------------------------------|-------------|---------------------------------|--------------------|
| Number of gear units | - | Luminous Efficacy (rated) (Nom) | 111 lm/W |
| Gear | - | Color rendering index (CRI) | ≥80 |
| Driver included | No | Number of light sources | 28 |
| Light source engine type | LED | Beam angle of light source | 10 or 40 degree(s) |
| Service tag | Yes | Light source color | 830 warm white |
| Value ladder | Performance | Optic type | Facetted reflector |
| Warranty period | 3 years | Unified glare rating CEN | Not applicable |
| Light Technical | | Input Voltage | 220 to 240 V |
| Luminous Flux | 1,300 lm | Line Frequency | 50 or 60 Hz |
| Correlated Color Temperature (Nom) | 3000 K | Inrush current | 16.5 A |

GreenSpace G6

| | |
|--|----------------------------|
| Inrush time | 177 ms |
| Power Consumption | 12 W |
| Power Factor (Fraction) | 0.9 |
| Connection | 2 Push-in connector 2-pole |
| Cable | - |
| Number of products on MCB of 16 A type B | 36 |
| Suitable for random switching | No |
| Protection class IEC | Safety class II |

Controls and Dimming

| | |
|-------------------|------|
| Dimmable | DALI |
| Control interface | DALI |
| Maximum dim level | 1% |

Mechanical and Housing

| | |
|------------------------------|---|
| Housing Material | Aluminum die-cast |
| Reflector material | Polycarbonate |
| Optic material | Polycarbonate |
| Optical cover material | Polycarbonate |
| Housing Color | Aluminum and RAL (to be defined) |
| Mounting device | Frame for recessed mounting |
| Optical cover finish | Matte |
| Overall height | 68 mm |
| Overall diameter | 120 mm |
| Ingress protection code | IP20/54 [Finger-protected; dust accumulation-protected, splash-proof] |
| Mech. impact protection code | IK03 [0.3 J] |
| Optical cover type | Polycarbonate Diffuser |

| | |
|--------------------|----------|
| Net Weight (Piece) | 0.440 kg |
|--------------------|----------|

Approval and Application

| | |
|------------------------------------|----------------------------------|
| Glow-wire test | Temperature 650 °C, duration 5 s |
| Flammability mark | - |
| CE mark | Yes |
| ENEC mark | - |
| EU RoHS compliant | Yes |
| Performance ambient temperature Tq | 25 °C |
| Ambient temperature range | -20 to +40 °C |

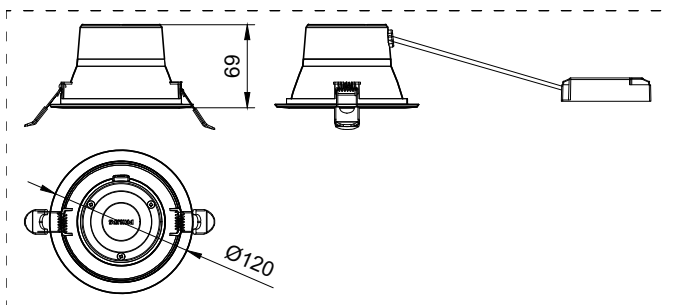
Initial Performance (IEC Compliant)

| | |
|-----------------------------|-------------|
| Luminous flux tolerance | -10% / +10% |
| Initial chromaticity | 5 |
| Power consumption tolerance | +/-10% |

Product Data

| | |
|---------------------------------|---|
| Order product name | DN391B LED14/830 P12PSD D100 ALWP GMG2HE |
| Full product name | DN391B LED14/830 P12PSD D100 ALWP GMG2HE |
| Order code | 911401570344 |
| Material Nr. (12NC) | 911401570344 |
| Numerator - Quantity Per Pack | 1 |
| Numerator - Packs per outer box | 1 |

Dimensional drawing



GreenSpace G6

