



GreenPerform Highbay G5

BY698X G5 LED150/CW L1W PIR WB GM

GreenPerform Highbay G5, 88 W, 15000 lm, 6500 K, Internal (no external connection), 85°

The GreenPerform Highbay G5 continues the GreenPerform family's enviable reputation for reliable performance. Not only does it deliver leading system efficacy and extended long-term quality, it also promises Unified Glare Rating (UGR) control with compact dimensions. GreenPerform Highbay G5 is also fully compatible with IoT software such as Interact, which is a scalable, future-proof control system. The family also has a series that supports cold room applications with 100% humidity and no condensation. All benefits that make this robust, optimized, and versatile family suitable for almost all industrial applications.

Product data

| General Information | |
|--------------------------|-------------|
| Number of gear units | 1 unit |
| Gear | - |
| Driver included | Yes |
| Light source engine type | LED |
| Value ladder | Performance |
| Warranty period | 5 years |

| Light Technical | |
|------------------------------------|-----------|
| Luminous Flux | 15,000 lm |
| Correlated Color Temperature (Nom) | 6500 K |
| Luminous Efficacy (rated) (Nom) | 170 lm/W |
| Color rendering index (CRI) | 80 |

| | |
|-----------------------------|-------------------|
| Number of light sources | 1 |
| Beam angle of light source | 115 degree(s) |
| Light source color | 865 cool daylight |
| Optic type | Wide beam |
| Luminaire light beam spread | 85° |
| Unified glare rating CEN | 25 |
| Effective projected area | 0 m ² |

| Operating and Electrical | |
|--------------------------|--------------|
| Input Voltage | 220 to 240 V |
| Line Frequency | 50 or 60 Hz |
| Inrush current | 32.6 A |
| Inrush time | 0.666 ms |

GreenPerform Highbay G5

| | |
|--|--------------------------|
| Power Consumption | 88 W |
| Power Factor (Fraction) | 0.95 |
| Connection | Flying leads/wires |
| Cable | Cable 0.3 m without plug |
| Number of products on MCB of 16 A type B 6 | |
| Suitable for random switching | Yes |
| Protection class IEC | Safety class I |

Controls and Dimming

| | |
|-------------------|---------------------------------------|
| Dimmable | Wireless Dim - Do not use with dimmer |
| Control interface | Internal (no external connection) |
| Maximum dim level | 0% (digital) |

Mechanical and Housing

| | |
|-------------------------------------|--|
| Housing Material | Aluminum die-cast |
| Reflector material | - |
| Optic material | Polycarbonate |
| Optical cover material | Polycarbonate |
| Housing Color | Grey |
| Mounting device | Suspension set simple, standard |
| Optical cover finish | Clear |
| Overall length | 435 mm |
| Overall width | 290 mm |
| Overall height | 100 mm |
| Dimensions (Height x Width x Depth) | 100 x 290 x 435 mm |
| Ingress protection code | IP65 [Dust penetration-protected, jet-proof] |
| Mech. impact protection code | IK03 [0.3 J] |
| Optical cover type | Clear dome |
| Net Weight (Piece) | 2.090 kg |

Approval and Application

| | |
|----------------|-----------------------------------|
| Glow-wire test | Temperature 750 °C, duration 30 s |
|----------------|-----------------------------------|

| | |
|------------------------------------|--|
| Flammability mark | For mounting on normally flammable surfaces |
| CE mark | Yes |
| ENEC mark | - |
| Photobiological risk | Photobiological risk group 1 @200mm to EN62778 |
| Photobiological risk specification | 0.2 m |
| EU RoHS compliant | Yes |
| Performance ambient temperature Tq | 35 °C |
| Ambient temperature range | -30 to +50 °C |

UV

| | |
|---------------------------------|---------------------|
| UV-C radiation | 0 W |
| UV-C irradiance defined at 0.2m | 0 mW/m ² |

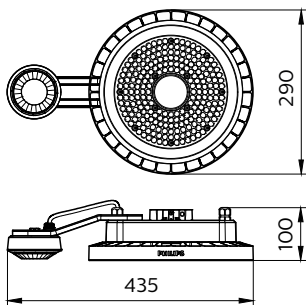
Initial Performance (IEC Compliant)

| | |
|-----------------------------|-----------------------|
| Luminous flux tolerance | +/-10% |
| Initial chromaticity | (0.317, 0.338) SDCM<5 |
| Power consumption tolerance | +/-10% |

Product Data

| | |
|---------------------------------|-----------------------------------|
| Order product name | BY698X G5 LED150/CW L1W PIR WB GM |
| Full product name | BY698X G5 LED150/CW L1W PIR WB GM |
| Full product code | 872110330806100 |
| Order code | 911401550845 |
| Material Nr. (12NC) | 911401550845 |
| Numerator - Quantity Per Pack | 1 |
| EAN/UPC - Product/Case | 8721103308061 |
| Numerator - Packs per outer box | 1 |
| EAN/UPC - Case | 8721103308061 |

Dimensional drawing



GreenPerform Highbay G5

