



GreenPerform Batten G3 BN398C

BN398X LED20/865 L600 L1 W OP

GreenPerform Batten G3 BN398C, 15 W, 2200 lm, 6500 K, Opal, Wireless

GreenPerform batten BN398C is a cost competitive linear solution with good performance and multiple lumen output for retail and industry applications. It offers surface mount and suspension installations to cater for different mounting options. Its multiple optic designs accommodate different applications as well.

Product data

General Information		Luminaire light beam spread	
Number of gear units	1 unit	Effective projected area	0 m ²
Gear	-		
Driver included	Yes	Operating and Electrical	
Light source engine type	LED	Input Voltage	220-240 V
Value ladder	Performance	Line Frequency	50 or 60 Hz
Warranty period	3 years	Inrush current	8 A
		Inrush time	186 ms
Light Technical		Power Consumption	15 W
Luminous Flux	2,200 lm	Power Factor (Fraction)	0.9
Correlated Color Temperature (Nom)	6500 K	Connection	-
Luminous Efficacy (rated) (Nom)	146.66666666666666 lm/W	Cable	Cable 0.3 m without plug
Color rendering index (CRI)	≥80	Number of products on MCB of 16 A type B	84
Number of light sources	2	Suitable for random switching	Not applicable
Beam angle of light source	- degree(s)	Protection class IEC	Safety class I
Light source color	865 cool daylight		
Optic type	Opal		

GreenPerform Batten G3 BN398C

Controls and Dimming

Dimmable	Wireless Dim
Control interface	Wireless
Maximum dim level	20%

Mechanical and Housing

Housing Material	Metal
Reflector material	-
Optic material	Polymethyl methacrylate
Optical cover material	Polymethyl methacrylate
Housing Color	White
Mounting device	Mounting bracket
Optical cover finish	Opal
Overall length	626 mm
Overall width	58 mm
Overall height	58 mm
Dimensions (Height x Width x Depth)	58 x 58 x 626 mm
Ingress protection code	IP20 [Finger-protected]
Mech. impact protection code	IK03 [0.3 J]
Optical cover type	Without lens
Net Weight (Piece)	0.990 kg

Approval and Application

Glow-wire test	Temperature 650 °C, duration 30 s
Flammability mark	-
CE mark	Yes
ENEC mark	-
Photobiological risk	Photobiological risk group 1 @200mm to EN62778

Photobiological risk specification	0.2 m
EU RoHS compliant	No
Performance ambient temperature Tq	25 °C
Ambient temperature range	-20 °C to 40 °C

UV

UV-C radiation	0 W
UV-C irradiance defined at 0.2m	0 mW/m ²

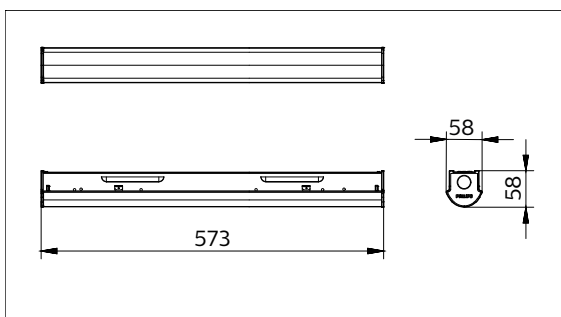
Initial Performance (IEC Compliant)

Luminous flux tolerance	+/-10%
Initial chromaticity	SDCM<11
Power consumption tolerance	+/-10%

Product Data

Order product name	BN398X LED20/865 L600 L1 W OP
Full product name	BN398X LED20/865 L600 L1 W OP
Full product code	692382865752900
Order code	65752900
Material Nr. (12NC)	911401549902
Numerator - Quantity Per Pack	1
EAN/UPC - Product/Case	6923828657529
Numerator - Packs per outer box	1
EAN/UPC - Case	6923828657529

Dimensional drawing



GreenPerform Batten G3 BN398C

