



GreenSpace G6

DN393X LED26/840 P20L1W D200 WH GMG2HE

GreenSpace G6, 19.9 W, 2600 lm, 4000 K, DALI, White reflector and opal cover, Matte, IP20 | Finger-protected

Philips GreenSpace G6 builds on the GreenSpace family's reputation for superb performance, extremely low energy use, and high visual comfort. This next generation of reliable LED downlights comes in a highly-compact design with a deep, recessed architecture and increased reflector depth to highlight the smallest of details. GreenSpace G6 is also a shining example of versatility. This energy-saving LED downlight is available in a comprehensive range of configurations from 600 to 3,550 lumen, with the option to choose fixed, dimmable, or Interact Ready variants. This makes GreenSpace G6 the perfect 'mix and match' solution for potentially broad and extended applications that require different lighting ambiances, with one cohesive luminaire look and feel.

Product data

| General Information | | Operating and Electrical | |
|------------------------------------|-------------|----------------------------|--------------------------------|
| Number of gear units | - | Number of light sources | 48 |
| Gear | - | Beam angle of light source | 10 or 40 degree(s) |
| Driver included | No | Light source color | 840 neutral white |
| Light source engine type | LED | Optic type | White reflector and opal cover |
| Value ladder | Performance | Unified glare rating CEN | Not applicable |
| Warranty period | 3 years | | |
| Light Technical | | Input Voltage | 220 to 240 V |
| Luminous Flux | 2,600 lm | Line Frequency | 50 or 60 Hz |
| Correlated Color Temperature (Nom) | 4000 K | Inrush current | 16.5 A |
| Luminous Efficacy (rated) (Nom) | 130 lm/W | Inrush time | 177 ms |
| Color rendering index (CRI) | ≥80 | Power Consumption | 19.9 W |
| | | Power Factor (Fraction) | 0.25 |

GreenSpace G6

| | |
|--|----------------------------|
| Connection | 2 Push-in connector 2-pole |
| Cable | - |
| Number of products on MCB of 16 A type B | 48 |
| Suitable for random switching | No |
| Protection class IEC | Safety class II |

Controls and Dimming

| | |
|-------------------|------|
| Dimmable | DALI |
| Control interface | DALI |
| Maximum dim level | 1% |

Mechanical and Housing

| | |
|------------------------------|----------------------------------|
| Housing Material | Aluminum die-cast |
| Reflector material | Polycarbonate |
| Optic material | Polycarbonate |
| Optical cover material | Polycarbonate |
| Housing Color | Aluminum and RAL (to be defined) |
| Mounting device | Frame for recessed mounting |
| Optical cover finish | Matte |
| Overall height | 107 mm |
| Overall diameter | 216 mm |
| Ingress protection code | IP20 [Finger-protected] |
| Mech. impact protection code | IK03 [0.3 J] |
| Optical cover type | Polycarbonate Diffuser |
| Net Weight (Piece) | 0.590 kg |

Approval and Application

| | |
|------------------------------------|--|
| Glow-wire test | Temperature 650 °C, duration 5 s |
| Flammability mark | - |
| CE mark | Yes |
| ENEC mark | - |
| Photobiological risk | Photobiological risk group 1 @200mm to EN62778 |
| EU RoHS compliant | Yes |
| Performance ambient temperature Tq | 25 °C |
| Ambient temperature range | -20 to +40 °C |

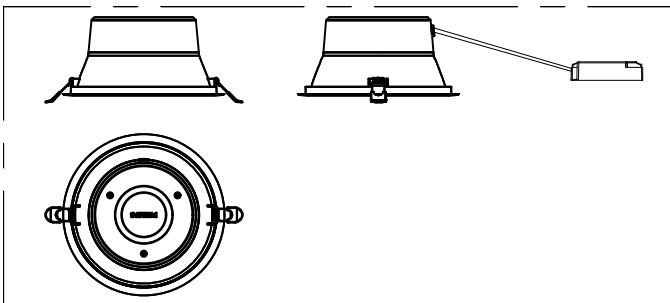
Initial Performance (IEC Compliant)

| | |
|-----------------------------|-------------|
| Luminous flux tolerance | -10% / +10% |
| Power consumption tolerance | +/-10% |

Product Data

| | |
|---------------------------------|---|
| Order product name | DN393X LED26/840 P20L1W D200 WH GMG2HE |
| Full product name | DN393X LED26/840 P20L1W D200 WH GMG2HE |
| Order code | 911401540344 |
| Material Nr. (12NC) | 911401540344 |
| Numerator - Quantity Per Pack | 1 |
| Numerator - Packs per outer box | 1 |

Dimensional drawing



GreenSpace G6

