



GreenSpace G6

DN391X LED14/830 P12WIA D100 AL G2HE

GreenSpace G6, 12 W, 1400 lm, 3000 K, InterAct Pro, Facetted reflector, Matte, IP20 | Finger-protected

Philips GreenSpace G6 builds on the GreenSpace family's reputation for superb performance, extremely low energy use, and high visual comfort. This next generation of reliable LED downlights comes in a highly-compact design with a deep, recessed architecture and increased reflector depth to highlight the smallest of details. GreenSpace G6 is also a shining example of versatility. This energy-saving LED downlight is available in a comprehensive range of configurations from 600 to 3,550 lumen, with the option to choose fixed, dimmable, or Interact Ready variants. This makes GreenSpace G6 the perfect 'mix and match' solution for potentially broad and extended applications that require different lighting ambiances, with one cohesive luminaire look and feel.

Product data

| General Information | | Color rendering index (CRI) | |
|------------------------------------|-------------|-----------------------------|--------------------|
| Number of gear units | - | | >80 |
| Gear | - | Number of light sources | 1 |
| Driver included | Yes | Light source color | 830 warm white |
| Light source engine type | LED | Optic type | Facetted reflector |
| Service tag | Yes | Unified glare rating CEN | 19 |
| Value ladder | Performance | Operating and Electrical | |
| Warranty period | 3 years | Input Voltage | 220 to 240 V |
| Light Technical | | Line Frequency | 50 or 60 Hz |
| Luminous Flux | 1,400 lm | Inrush current | 5.5 A |
| Correlated Color Temperature (Nom) | 3000 K | Inrush time | 0.055 ms |
| Luminous Efficacy (rated) (Nom) | 111 lm/W | Power Consumption | 12 W |
| | | Power Factor (Fraction) | 0.9 |

GreenSpace G6

| | |
|---|----------------------------|
| Connection | 2 Push-in connector 2-pole |
| Cable | - |
| Number of products on MCB of 16 A type B 54 | |
| Suitable for random switching | No |
| Protection class IEC | Safety class II |

Controls and Dimming

| | |
|-------------------|--------------|
| Dimmable | DALI |
| Control interface | InterAct Pro |
| Maximum dim level | 1% |

Mechanical and Housing

| | |
|------------------------------|-----------------------------|
| Housing Material | Aluminum die-cast |
| Reflector material | Polycarbonate |
| Optic material | Polycarbonate |
| Optical cover material | Polycarbonate |
| Housing Color | Aluminum |
| Mounting device | Frame for recessed mounting |
| Optical cover finish | Matte |
| Overall height | 68 mm |
| Overall diameter | 120 mm |
| Ingress protection code | IP20 [Finger-protected] |
| Mech. impact protection code | IK03 [0.3 J] |
| Optical cover type | Polycarbonate Diffuser |
| Net Weight (Piece) | 0.240 kg |

Approval and Application

| | |
|------------------------------------|--|
| Glow-wire test | Temperature 650 °C, duration 5 s |
| Flammability mark | - |
| CE mark | Yes |
| ENEC mark | - |
| Photobiological risk | Photobiological risk group 1 @200mm to EN62778 |
| EU RoHS compliant | Yes |
| Performance ambient temperature Tq | 25 °C |
| Ambient temperature range | -20 to +40 °C |

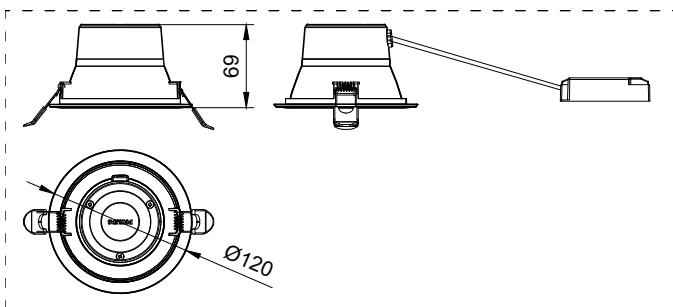
Initial Performance (IEC Compliant)

| | |
|-----------------------------|--------|
| Luminous flux tolerance | +/-10% |
| Initial chromaticity | 5 |
| Power consumption tolerance | +/-10% |

Product Data

| | |
|---------------------------------|--------------------------------------|
| Order product name | DN391X LED14/830 P12WIA D100 AL G2HE |
| Full product name | DN391X LED14/830 P12WIA D100 AL G2HE |
| Order code | 911401538044 |
| Material Nr. (12NC) | 911401538044 |
| Numerator - Quantity Per Pack | 1 |
| Numerator - Packs per outer box | 1 |

Dimensional drawing



GreenSpace G6

