



GreenSpace G6

DN392B LED20/840 PSU D150 WH GCG2HE

GreenSpace G6, 14.4 W, 2000 lm, 4000 K, White reflector and opal cover, Matte, IP20 | Finger-protected

Philips GreenSpace G6 builds on the GreenSpace family's reputation for superb performance, extremely low energy use, and high visual comfort. This next generation of reliable LED downlights comes in a highly-compact design with a deep, recessed architecture and increased reflector depth to highlight the smallest of details. GreenSpace G6 is also a shining example of versatility. This energy-saving LED downlight is available in a comprehensive range of configurations from 600 to 3,550 lumen, with the option to choose fixed, dimmable, or Interact Ready variants. This makes GreenSpace G6 the perfect 'mix and match' solution for potentially broad and extended applications that require different lighting ambiances, with one cohesive luminaire look and feel.

Product data

| General Information | | Color rendering index (CRI) | | >80 |
|------------------------------------|-------------|---------------------------------|--------------------------------|-----|
| Number of gear units | - | Number of light sources | 1 | |
| Gear | - | Light source color | 840 neutral white | |
| Driver included | Yes | Optic type | White reflector and opal cover | |
| Light source engine type | LED | Unified glare rating CEN | 26 | |
| Service tag | Yes | Operating and Electrical | | |
| Value ladder | Performance | Input Voltage | 220 to 240 V | |
| Warranty period | 3 years | Line Frequency | 50 or 60 Hz | |
| Light Technical | | Inrush current | 10 A | |
| Luminous Flux | 2,000 lm | Inrush time | 0.02 ms | |
| Correlated Color Temperature (Nom) | 4000 K | Power Consumption | 14.4 W | |
| Luminous Efficacy (rated) (Nom) | 138 lm/W | Power Factor (Fraction) | 0.9 | |

GreenSpace G6

| | |
|--|--|
| Connection | Flying leads/wires |
| Cable | 2x0.75mm ² Cable 0.2 m without plug |
| Number of products on MCB of 16 A type B | 170 |
| Suitable for random switching | No |
| Protection class IEC | Safety class II |

Controls and Dimming

| | |
|-------------------|----------------|
| Dimmable | No |
| Control interface | - |
| Maximum dim level | Not applicable |

Mechanical and Housing

| | |
|------------------------------|-----------------------------|
| Housing Material | Aluminum die-cast |
| Reflector material | Polycarbonate |
| Optic material | Polycarbonate |
| Optical cover material | Polycarbonate |
| Housing Color | Aluminum |
| Mounting device | Frame for recessed mounting |
| Optical cover finish | Matte |
| Overall height | 80 mm |
| Overall diameter | 162 mm |
| Ingress protection code | IP20 [Finger-protected] |
| Mech. impact protection code | IK03 [0.3 J] |
| Optical cover type | Polycarbonate Diffuser |
| Net Weight (Piece) | 0.340 kg |

Approval and Application

| | |
|------------------------------------|--|
| Glow-wire test | Temperature 650 °C, duration 5 s |
| Flammability mark | - |
| CE mark | Yes |
| ENEC mark | - |
| Photobiological risk | Photobiological risk group 1 @200mm to EN62778 |
| EU RoHS compliant | Yes |
| Performance ambient temperature Tq | 25 °C |
| Ambient temperature range | -20 to +40 °C |

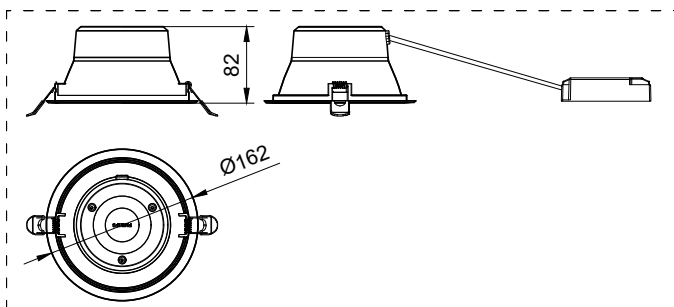
Initial Performance (IEC Compliant)

| | |
|-----------------------------|--------|
| Luminous flux tolerance | +/-10% |
| Initial chromaticity | 5 |
| Power consumption tolerance | +/-10% |

Product Data

| | |
|---------------------------------|-------------------------------------|
| Order product name | DN392B LED20/840 PSU D150 WH GCG2HE |
| Full product name | DN392B LED20/840 PSU D150 WH GCG2HE |
| Order code | 911401531944 |
| Material Nr. (12NC) | 911401531944 |
| Numerator - Quantity Per Pack | 1 |
| Numerator - Packs per outer box | 4 |

Dimensional drawing



GreenSpace G6

