



# GreenSpace G6

## DN392B LED18/865 P14PSU D200 ALWP GMG2HE

GreenSpace G6, 14.4 W, 1850 lm, 6500 K, Facetted reflector, Matte, IP20/54 | Finger-protected; dust accumulation-protected, splash-proof

Philips GreenSpace G6 builds on the GreenSpace family's reputation for superb performance, extremely low energy use, and high visual comfort. This next generation of reliable LED downlights comes in a highly-compact design with a deep, recessed architecture and increased reflector depth to highlight the smallest of details. GreenSpace G6 is also a shining example of versatility. This energy-saving LED downlight is available in a comprehensive range of configurations from 600 to 3,550 lumen, with the option to choose fixed, dimmable, or Interact Ready variants. This makes GreenSpace G6 the perfect 'mix and match' solution for potentially broad and extended applications that require different lighting ambiances, with one cohesive luminaire look and feel.

### Product data

| General Information                |             | Luminous Efficacy (rated) (Nom) |                    |
|------------------------------------|-------------|---------------------------------|--------------------|
| Number of gear units               | -           | Luminous Efficacy (rated) (Nom) | 132 lm/W           |
| Gear                               | -           | Color rendering index (CRI)     | >80                |
| Driver included                    | Yes         | Number of light sources         | 1                  |
| Light source engine type           | LED         | Light source color              | 865 cool daylight  |
| Service tag                        | Yes         | Optic type                      | Facetted reflector |
| Value ladder                       | Performance | Unified glare rating CEN        | 16                 |
| Warranty period                    | 3 years     |                                 |                    |
| Light Technical                    |             | Operating and Electrical        |                    |
| Luminous Flux                      | 1,850 lm    | Input Voltage                   | 220 to 240 V       |
| Correlated Color Temperature (Nom) | 6500 K      | Line Frequency                  | 50 or 60 Hz        |
|                                    |             | Inrush current                  | 10 A               |
|                                    |             | Inrush time                     | 0.02 ms            |

## GreenSpace G6

|  |  |
|--|--|
| Power Consumption                        | 14.4 W   |
| Power Factor (Fraction)                  | 0.9  |
| Connection                               | Flying leads/wires                             |
| Cable                                    | 2x0.75mm <sup>2</sup> Cable 0.2 m without plug |
| Number of products on MCB of 16 A type B | 170  |
| Suitable for random switching            | No   |
| Protection class IEC                     | Safety class II                                |

### Controls and Dimming

|                   |                |
|-------------------|----------------|
| Dimmable          | No             |
| Control interface | -              |
| Maximum dim level | Not applicable |

### Mechanical and Housing

|                              |   |
|------------------------------|---|
| Housing Material             | Aluminum die-cast   |
| Reflector material           | Polycarbonate   |
| Optic material               | Polycarbonate   |
| Optical cover material       | Polycarbonate   |
| Housing Color                | Aluminum  |
| Mounting device              | Frame for recessed mounting   |
| Optical cover finish         | Matte   |
| Overall height               | 107 mm  |
| Overall diameter             | 216 mm  |
| Ingress protection code      | IP20/54 [Finger-protected; dust accumulation-protected, splash-proof] |
| Mech. impact protection code | IK03 [0.3 J]  |
| Optical cover type           | Polycarbonate Diffuser  |
| Net Weight (Piece)           | 0.440 kg  |

### Approval and Application

|                                    |  |
|------------------------------------|--|
| Glow-wire test                     | Temperature 650 °C, duration 5 s               |
| Flammability mark                  | -  |
| CE mark                            | Yes  |
| ENEC mark                          | -  |
| Photobiological risk               | Photobiological risk group 1 @200mm to EN62778 |
| EU RoHS compliant                  | Yes  |
| Performance ambient temperature Tq | 25 °C  |
| Ambient temperature range          | -20 to +40 °C                                  |

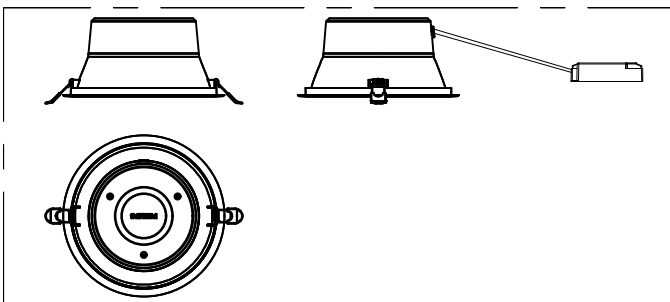
### Initial Performance (IEC Compliant)

|                             |        |
|-----------------------------|--------|
| Luminous flux tolerance     | +/-10% |
| Initial chromaticity        | 5      |
| Power consumption tolerance | +/-10% |

### Product Data

|                                 |   |
|---------------------------------|---|
| Order product name              | DN392B LED18/865 P14PSU D200 ALWP<br>GMG2HE |
| Full product name               | DN392B LED18/865 P14PSU D200 ALWP<br>GMG2HE |
| Order code                      | 911401522544                                |
| Material Nr. (12NC)             | 911401522544                                |
| Numerator - Quantity Per Pack   | 1   |
| Numerator - Packs per outer box | 4   |

### Dimensional drawing



## GreenSpace G6

