



GreenSpace G6

DN394B LED38/865 P29PSU D200 ALWP GMG2HE

GreenSpace G6, 29.3 W, 3800 lm, 6500 K, Facetted reflector, Matte, IP20/54 | Finger-protected; dust accumulation-protected, splash-proof

Philips GreenSpace G6 builds on the GreenSpace family's reputation for superb performance, extremely low energy use, and high visual comfort. This next generation of reliable LED downlights comes in a highly-compact design with a deep, recessed architecture and increased reflector depth to highlight the smallest of details. GreenSpace G6 is also a shining example of versatility. This energy-saving LED downlight is available in a comprehensive range of configurations from 600 to 3,550 lumen, with the option to choose fixed, dimmable, or Interact Ready variants. This makes GreenSpace G6 the perfect 'mix and match' solution for potentially broad and extended applications that require different lighting ambiances, with one cohesive luminaire look and feel.

Product data

General Information		Operating and Electrical	
Number of gear units	-	Correlated Color Temperature (Nom)	6500 K
Gear	-	Luminous Efficacy (rated) (Nom)	132 lm/W
Driver included	Yes	Color rendering index (CRI)	>80
Light source engine type	LED	Number of light sources	1
Service tag	Yes	Light source color	865 cool daylight
Value ladder	Performance	Optic type	Facetted reflector
Warranty period	3 years	Unified glare rating CEN	19
Light Technical		Input Voltage	220 to 240 V
Luminous Flux	3,800 lm	Line Frequency	50 or 60 Hz

GreenSpace G6

Inrush current	19.5 A
Inrush time	0.258 ms
Power Consumption	29.3 W
Power Factor (Fraction)	0.9
Connection	Flying leads/wires
Cable	2×0.75mm ² Cable 0.2 m without plug
Number of products on MCB of 16 A type B	68
Suitable for random switching	No
Protection class IEC	Safety class II

Controls and Dimming

Dimmable	No
Control interface	-
Maximum dim level	Not applicable

Mechanical and Housing

Housing Material	Aluminum die-cast
Reflector material	Polycarbonate
Optic material	Polycarbonate
Optical cover material	Polycarbonate
Housing Color	Aluminum
Mounting device	Frame for recessed mounting
Optical cover finish	Matte
Overall height	107 mm
Overall diameter	216 mm
Ingress protection code	IP20/54 [Finger-protected; dust accumulation-protected, splash-proof]
Mech. impact protection code	IK03 [0.3 J]
Optical cover type	Polycarbonate Diffuser

Net Weight (Piece)	0.440 kg
--------------------	----------

Approval and Application

Glow-wire test	Temperature 650 °C, duration 5 s
Flammability mark	-
CE mark	Yes
ENEC mark	-
Photobiological risk	Photobiological risk group 1 @200mm to EN62778
EU RoHS compliant	Yes
Performance ambient temperature Tq	25 °C
Ambient temperature range	-20 to +40 °C

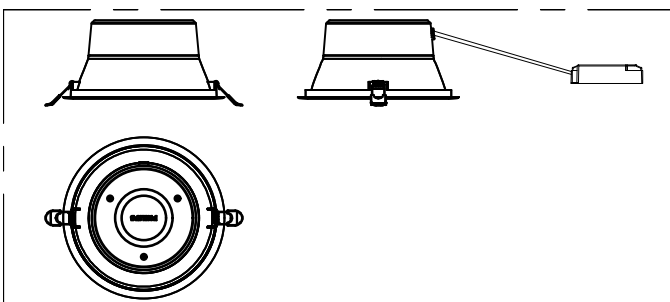
Initial Performance (IEC Compliant)

Luminous flux tolerance	+/-10%
Initial chromaticity	5
Power consumption tolerance	+/-10%

Product Data

Order product name	DN394B LED38/865 P29PSU D200 ALWP GMG2HE
Full product name	DN394B LED38/865 P29PSU D200 ALWP GMG2HE
Order code	911401520744
Material Nr. (12NC)	911401520744
Numerator - Quantity Per Pack	1
Numerator - Packs per outer box	4

Dimensional drawing



GreenSpace G6

