



GreenSpace G6

DN390B LED7/840 P6PSU D100WHWP CAUG2HE

GreenSpace G6, 5.8 W, 750 lm, 4000 K, Facetted reflector, Matte, IP20/54 | Finger-protected; dust accumulation-protected, splash-proof

Philips GreenSpace G6 builds on the GreenSpace family's reputation for superb performance, extremely low energy use, and high visual comfort. This next generation of reliable LED downlights comes in a highly-compact design with a deep, recessed architecture and increased reflector depth to highlight the smallest of details. GreenSpace G6 is also a shining example of versatility. This energy-saving LED downlight is available in a comprehensive range of configurations from 600 to 3,550 lumen, with the option to choose fixed, dimmable, or Interact Ready variants. This makes GreenSpace G6 the perfect 'mix and match' solution for potentially broad and extended applications that require different lighting ambiances, with one cohesive luminaire look and feel.

Product data

General Information		Operating and Electrical	
Number of gear units	-	Luminous Efficacy (rated) (Nom)	130 lm/W
Gear	-	Color rendering index (CRI)	>80
Driver included	Yes	Number of light sources	1
Light source engine type	LED	Light source color	840 neutral white
Service tag	Yes	Optic type	Facetted reflector
Value ladder	Performance	Unified glare rating CEN	25
Warranty period	3 years		
Light Technical		Input Voltage	220 to 240 V
Luminous Flux	750 lm	Line Frequency	50 or 60 Hz
Correlated Color Temperature (Nom)	4000 K	Inrush current	14 A
		Inrush time	0.01 ms

GreenSpace G6

Power Consumption	5.8 W
Power Factor (Fraction)	0.9
Connection	Flying leads/wires
Cable	2×0.75mm ² Cable 0.2 m without plug
Number of products on MCB of 16 A type B	204
Suitable for random switching	No
Protection class IEC	Safety class II

Controls and Dimming

Dimmable	No
Control interface	-
Maximum dim level	Not applicable

Mechanical and Housing

Housing Material	Aluminum die-cast
Reflector material	Polycarbonate
Optic material	Polycarbonate
Optical cover material	Polycarbonate
Housing Color	Aluminum
Mounting device	Frame for recessed mounting
Optical cover finish	Matte
Overall height	68 mm
Overall diameter	120 mm
Ingress protection code	IP20/54 [Finger-protected; dust accumulation-protected, splash-proof]
Mech. impact protection code	IK03 [0.3 J]
Optical cover type	Polycarbonate Diffuser
Net Weight (Piece)	0.990 kg

Approval and Application

Glow-wire test	Temperature 650 °C, duration 5 s
Flammability mark	-
CE mark	Yes
ENEC mark	-
Photobiological risk	Photobiological risk group 1 @200mm to EN62778
EU RoHS compliant	Yes
Performance ambient temperature Tq	25 °C
Ambient temperature range	-20 to +40 °C

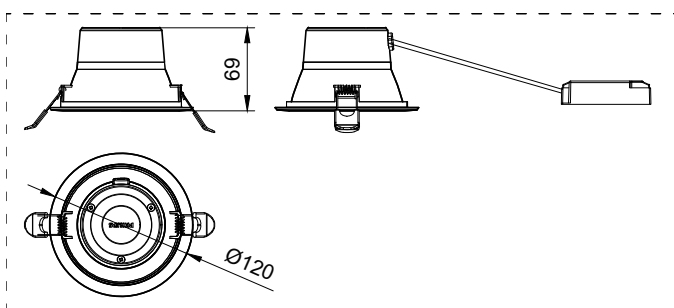
Initial Performance (IEC Compliant)

Luminous flux tolerance	+/-10%
Initial chromaticity	5
Power consumption tolerance	+/-10%

Product Data

Order product name	DN390B LED7/840 P6PSU D100WHWP CAUG2HE
Full product name	DN390B LED7/840 P6PSU D100WHWP CAUG2HE
Order code	911401520244
Material Nr. (12NC)	911401520244
Numerator - Quantity Per Pack	1
Numerator - Packs per outer box	1

Dimensional drawing



GreenSpace G6

